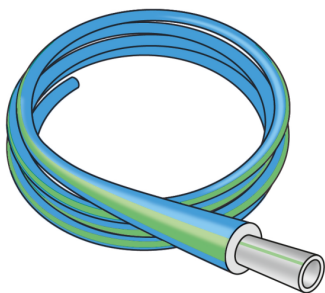


# STEELOX

## SMX134 STEELOX Plus pipe - 4mm 16x2

57011B00

### Areas of application



STEELOX pipe conforming to ÖNORM B 5175, oxygen- and steam diffusion-tight multi-layer composite pipe made of stainless steel/PE-RT, with factory-applied 4mm closed-cell soft foam insulation material and protective jacket made of viscoplastic PE film

Classification of operating conditions as per ÖNORM B 5175 - Class 2:

70°C/10 bar, max. operating temperature up to 80°C - accident temperature 100°C (max. 100h)

Insulation material thickness: 4 mm

Colour: blue

Supplied in coils

## Approvals:



# Specifications

## Article information

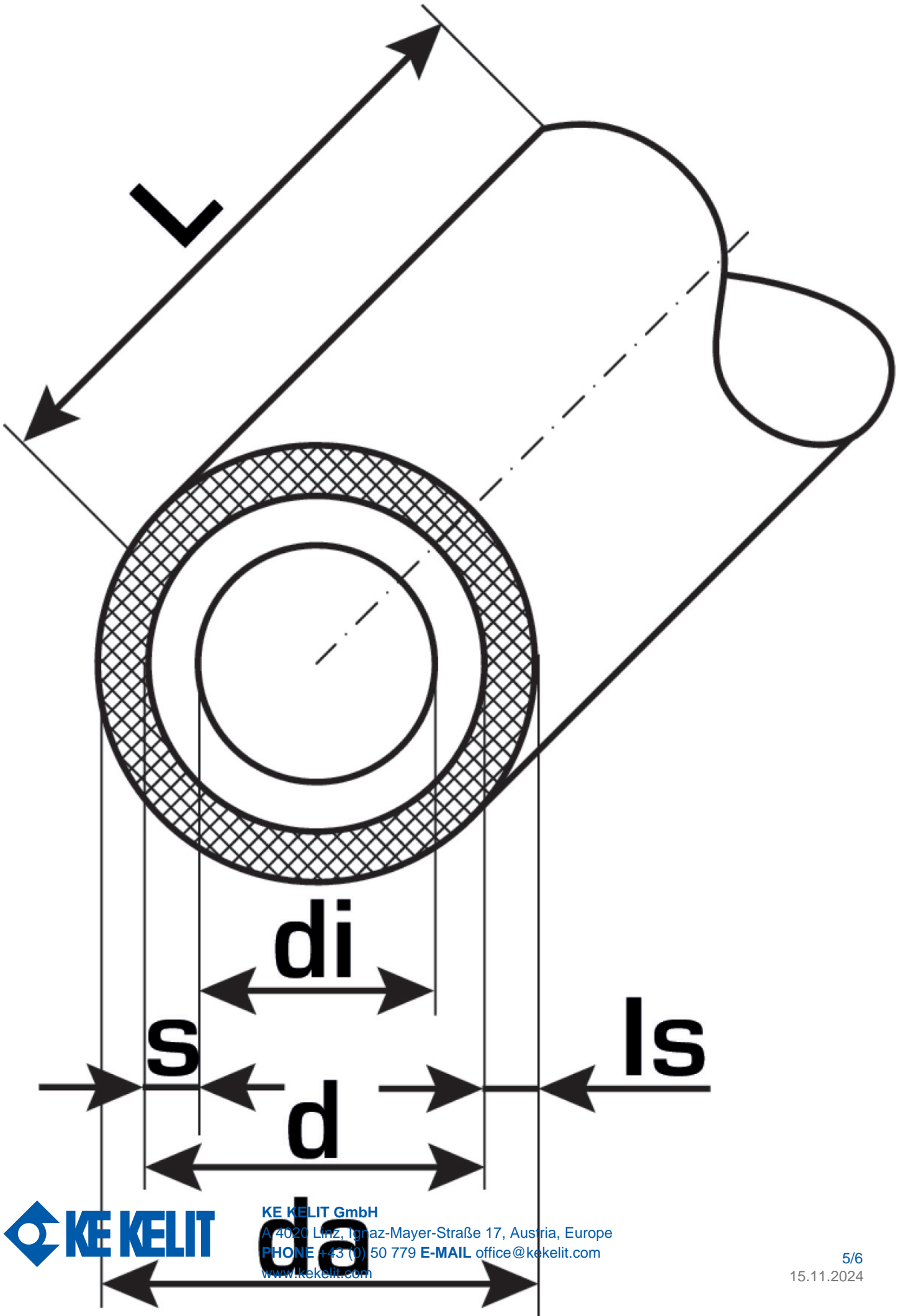
<b>color</b>	Silver with green longitudinal stripes
<b>colour isolation</b>	Blue
<b>flexible</b>	Yes
<b>trade length</b>	50 m
<b>isolation</b>	Yes

## Technical properties

<b>maximum working pressure at 20 ° C</b>	10 bar
<b>thick thermal insulation</b>	4
<b>pipe weight</b>	0.15 kg/m
<b>pipe contents</b>	0.113 l/m
<b>lambda pipe</b>	0.45 W/(m.K)
<b>wall rawness</b>	0.01
<b>expansion coefficient</b>	0.045 mm/(m.K)

## Product information

VPE1	50 ROL
VPE2	900 PAL
L	50 m
weight	0,15 KGM
text	STEELOX Plus pipe - 4mm
INTRNR	39173900
code	SMX134



Art. No	label	d1	d Jacket tube	pipe contents l/m	s mm
57011B00	16x2	16	24	0.113	2



**KE KELIT GmbH**

A 4020 Linz, Ignaz-Mayer-Straße 17, Austria, Europe

**PHONE** +43 (0) 50 779 **E-MAIL** [office@kekelit.com](mailto:office@kekelit.com)

[www.kekelit.com](http://www.kekelit.com)