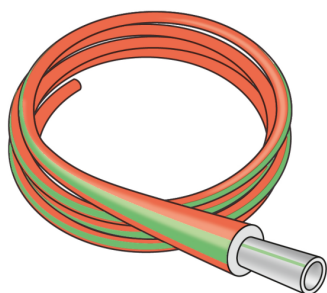


# STEELOX

## SMX130 STEELOX Plus pipe - 9mm 16x2

57014B00

### Areas of application



STEELOX pipe conforming to ÖNORM B 5175, oxygen- and steam diffusion-tight multi-layer composite pipe made of stainless steel/PE-RT, with factory-applied 9mm closed-cell soft foam insulation material and protective jacket made of viscoplastic PE film

Classification of operating conditions as per ÖNORM B 5175 - Class 2:

70°C/10 bar, max. operating temperature up to 80°C - accident temperature 100°C (max. 100h)

Insulation material thickness: 9 mm

Colour: red

Supplied in coils

## Approvals:



# Specifications

## Article information

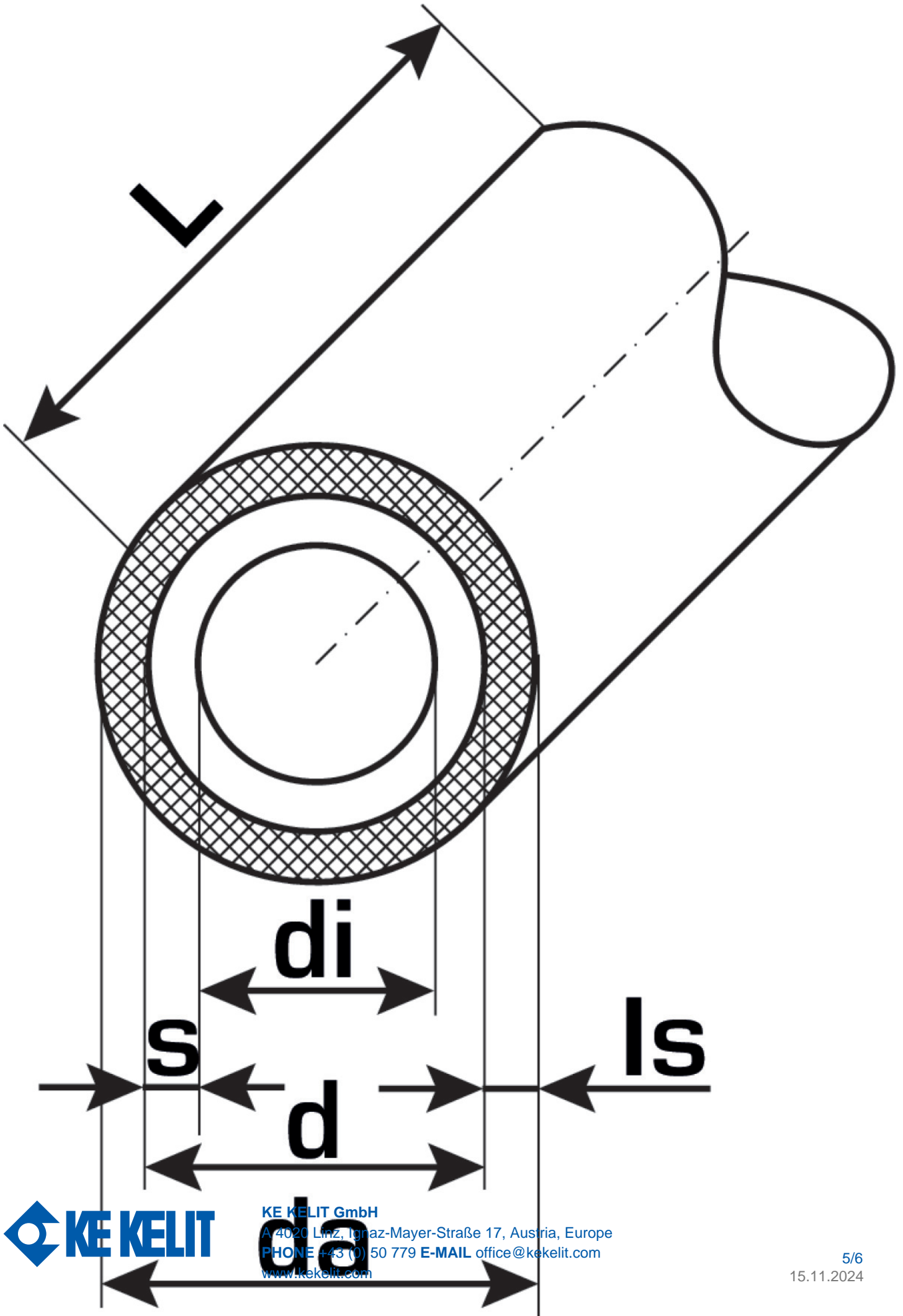
color	Silver with green longitudinal stripes
colour isolation	Red
flexible	Yes
trade length	50 m
isolation	Yes

## Technical properties

maximum working pressure at 20 ° C	10 bar
thick thermal insulation	9
pipe weight	0.18 kg/m
pipe contents	0.113 l/m
lambda pipe	0.45 W/(m.K)
wall rawness	0.01
expansion coefficient	0.045 mm/(m.K)

## Product information

VPE1	50 ROL
VPE2	700 PAL
L	50 m
weight	0,18 KGM
text	STEELOX Plus pipe - 9mm
INTRNR	39173900
code	SMX130



Art. No	label	d1	d Jacket tube	pipe contents l/m	s mm
57014B00	16x2	16	34	0.113	2



**KE KELIT GmbH**

A 4020 Linz, Ignaz-Mayer-Straße 17, Austria, Europe

**PHONE** +43 (0) 50 779 **E-MAIL** [office@kekelit.com](mailto:office@kekelit.com)

[www.kekelit.com](http://www.kekelit.com)