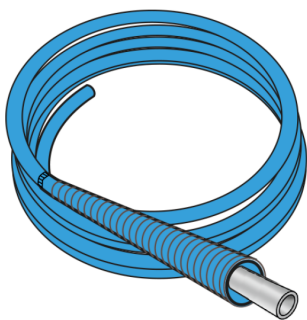


# STEELOX

## SMX140 STEELOX Pro pipe 16x2/25

57021B00

### Areas of application



STEELOX pipe conforming to ÖNORM B 5175, oxygen- and steam diffusion-tight multi-layer composite pipe made of stainless steel/PE-RT, with a factory-applied sleeve consisting of a corrugated, watertight protective jacket made of PE-HD

Classification of operating conditions as per ÖNORM B 5175 - Class 2:

70°C/10 bar, max. operating temperature up to 80°C - accident temperature 100°C (max. 100h)

Colour: blue

Rolls

## Approvals:



# Specifications

## Article information

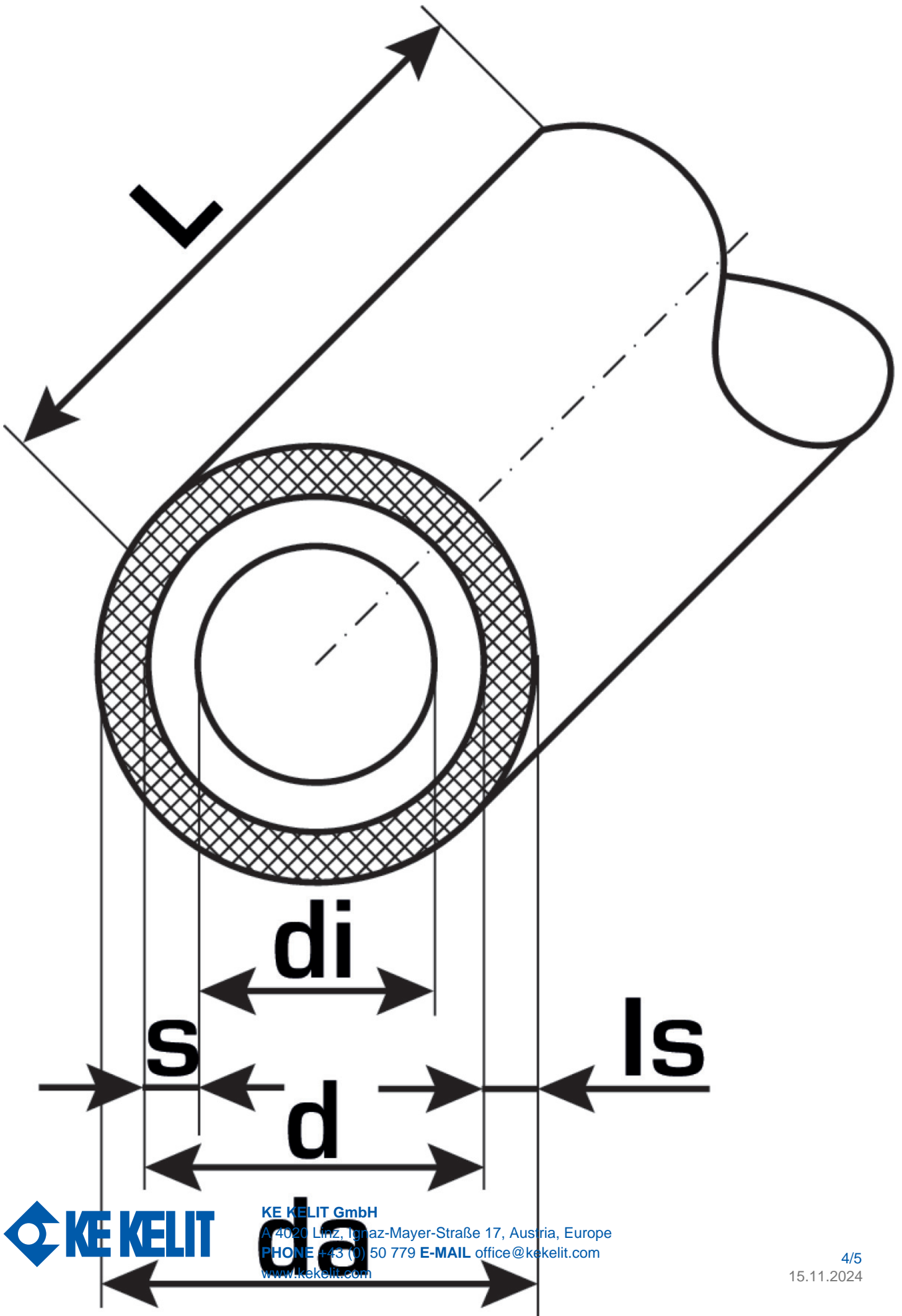
color	Silver with green longitudinal stripes
flexible	Yes
trade length	50 m
isolation	No

## Technical properties

maximum working pressure at 20 ° C	10 bar
pipe weight	0.18 kg/m
pipe contents	0.113 l/m
lambda pipe	0.45 W/(m.K)
wall rawness	0.01
expansion coefficient	0.045 mm/(m.K)

## Product information

VPE1	50 ROL
L	50 m
weight	0,18 KGM
text	STEELOX Pro pipe
INTRNR	39172110
code	SMX140



Art. No	label	d1	d Jacket tube	pipe contents l/m	s mm
57021B00	16x2/25	16	25	0.113	2



**KE KELIT GmbH**

A 4020 Linz, Ignaz-Mayer-Straße 17, Austria, Europe

**PHONE** +43 (0) 50 779 **E-MAIL** [office@kekelit.com](mailto:office@kekelit.com)

[www.kekelit.com](http://www.kekelit.com)