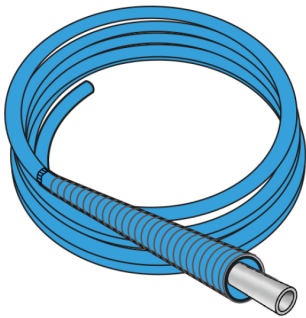


STEELOX

SMX140 STEELOX Pro pipe 20x2.25/28

57021D00

Areas of application



STEELOX pipe conforming to ÖNORM B 5175, oxygen- and steam diffusion-tight multi-layer composite pipe made of stainless steel/PE-RT, with a factory-applied sleeve consisting of a corrugated, watertight protective jacket made of PE-HD

Classification of operating conditions as per ÖNORM B 5175 - Class 2:

70°C/10 bar, max. operating temperature up to 80°C - accident temperature 100°C (max. 100h)

Colour: blue

Rolls

Approvals:



Specifications

Article information

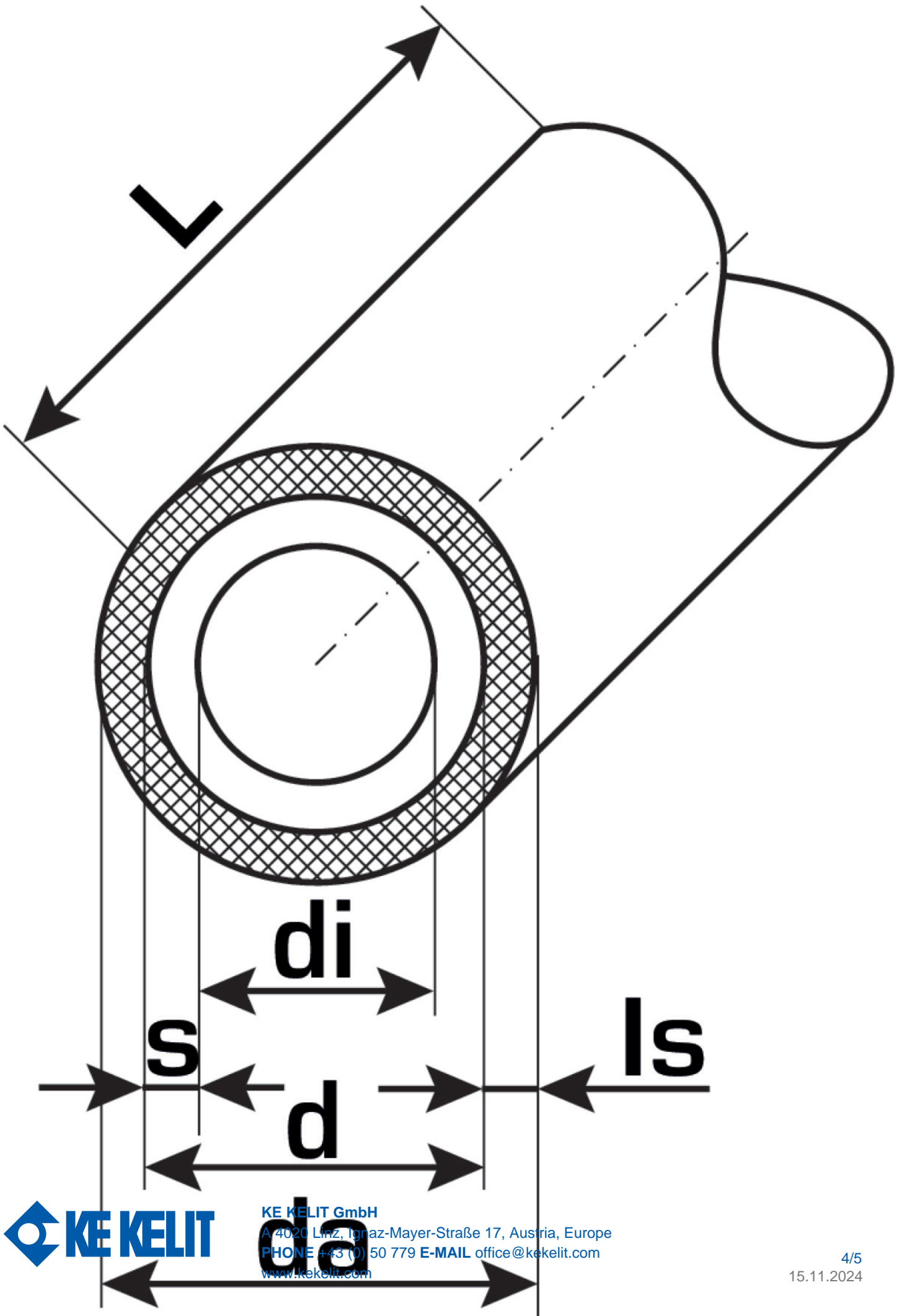
color	Silver with green longitudinal stripes
flexible	Yes
trade length	50 m
isolation	No

Technical properties

maximum working pressure at 20 ° C	10 bar
pipe weight	0.23 kg/m
pipe contents	0.189 l/m
lambda pipe	0.45 W/(m.K)
wall rawness	0.01
expansion coefficient	0.045 mm/(m.K)

Product information

VPE1	50 ROL
L	50 m
weight	0,23 KGM
text	STEELOX Pro pipe
INTRNR	39172110
code	SMX140



Art. No	label	d1	d Jacket tube	pipe contents l/m	s
57021D00	20x2.25/28	20	28	0.189	2.25



KE KELIT GmbH

A 4020 Linz, Ignaz-Mayer-Straße 17, Austria, Europe

PHONE +43 (0) 50 779 **E-MAIL** office@kekelit.com

www.kekelit.com