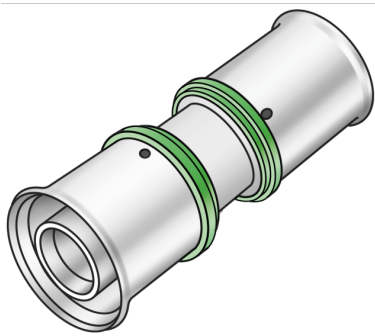


# STEELOX

## SMX410 STEELOX coupling 20/20

57100DD0

### Areas of application



?Press-fit coupling, equal or reduced, made of non-porous metallized dezincification-resistant (DZR) brass, incl. support sleeves with O-rings and stainless steel pressing sleeves, "leak before pressed"

### Approvals:



KE KELIT GmbH

A 4020 Linz, Ignaz-Mayer-Straße 17, Austria, Europe

PHONE +43 (0) 50 779 E-MAIL [office@kekelit.com](mailto:office@kekelit.com)

[www.kekelit.com](http://www.kekelit.com)

# Specifications

## Article information

port 1	Pressing socket
port 2	Pressing socket
execution	1-part
design	Straight
press contour	SX

## Technical properties

maximum working pressure at 20 ° C	10 bar
------------------------------------	--------

## Product information

VPE1	10 SA1
VPE2	160 KT1
weight	0,063 KGM
text	STEELOX coupling
INTRNR	74122000
code	SMX410



Art. No	label	d1	d2	L1	L2	z1	z2
57100DD0	20/20	20	20	29	29	3.5	3.5