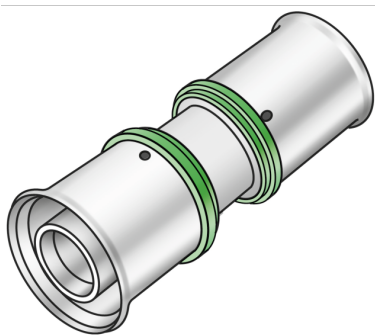


STEELOX

SMX410 STEELOX coupling 25/25

57100EE0

Areas of application



?Press-fit coupling, equal or reduced, made of non-porous metallized dezincification-resistant (DZR) brass, incl. support sleeves with O-rings and stainless steel pressing sleeves, "leak before pressed"

Approvals:



KE KELIT GmbH

A 4020 Linz, Ignaz-Mayer-Straße 17, Austria, Europe

PHONE +43 (0) 50 779 E-MAIL office@kekelit.com

www.kekelit.com

Specifications

Article information

port 1	Pressing socket
port 2	Pressing socket
execution	1-part
design	Straight
press contour	SX

Technical properties

maximum working pressure at 20 ° C	10 bar
------------------------------------	--------

Product information

VPE1	10 SA1
VPE2	100 KT1
weight	0,112 KGM
text	STEELOX coupling
INTRNR	74122000
code	SMX410



Art. No	label	d1	d2	L1	L2	z1	z2
57100EE0	25/25	25	25	36	36	3	3