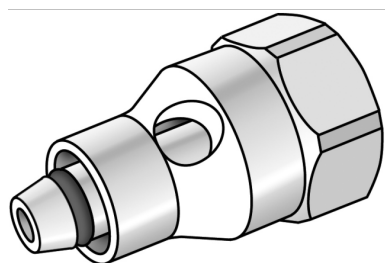


STEELOX

SMX258 STEELOX stopper for pressure testing 20x1/2"

57900D02

Areas of application



Re-usable plug for pressure testing STEELOX or KELOX multilayer pipes

After removing the plug, cut off the pipe end!

NOT suitable for continuous use!

Specifications

Article information

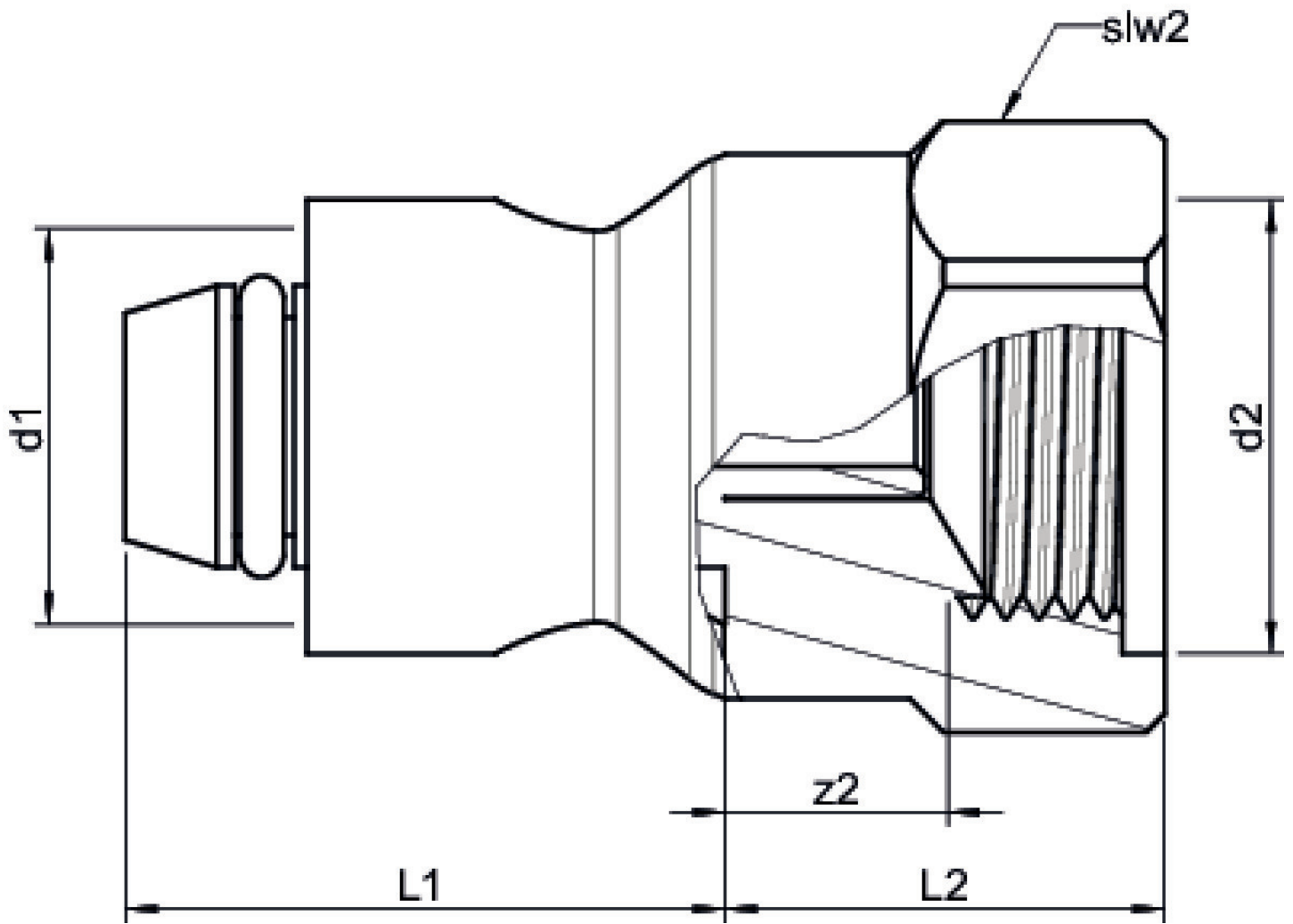
port 1	sonstige
port 2	Innengewinde zylindrisch BSPT-Rp (ISO 7-1 / EN 10226-1)
execution	1-teilig
design	gerade

Technical properties

maximum working pressure at 20 ° C	16 bar
PN	PN 10

Product information

VPE1	1 KT1
VPE2	100 KT2
weight	0,21 KGM
text	STEELOX stopper for pressure testing
INTRNR	84818059
code	SMX258



Art. No	label	d2	d1 mm	L1 mm	L2 mm	z2 mm	slw2 mm
57900D02	20x1/2"	1/2 Zoll (15)	20	33	24	14.5	30