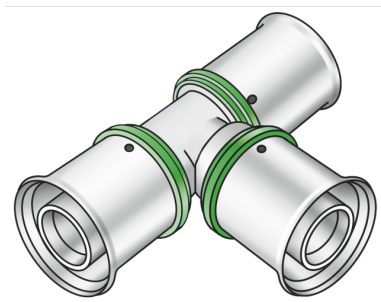


STEELOX

SMX440 ?STEELOX tee 25/16/20

57110EBD

Areas of application



?Press-fit tee, equal or reduced, made of non-porous, metallized dezincification-resistant brass (DZR), incl. support sleeves with O-rings and stainless steel pressing sleeves, "leak before pressed"

Approvals:



KE KELIT GmbH

A 4020 Linz, Ignaz-Mayer-Straße 17, Austria, Europe

PHONE +43 (0) 50 779 E-MAIL office@kekelit.com

www.kekelit.com

Specifications

Article information

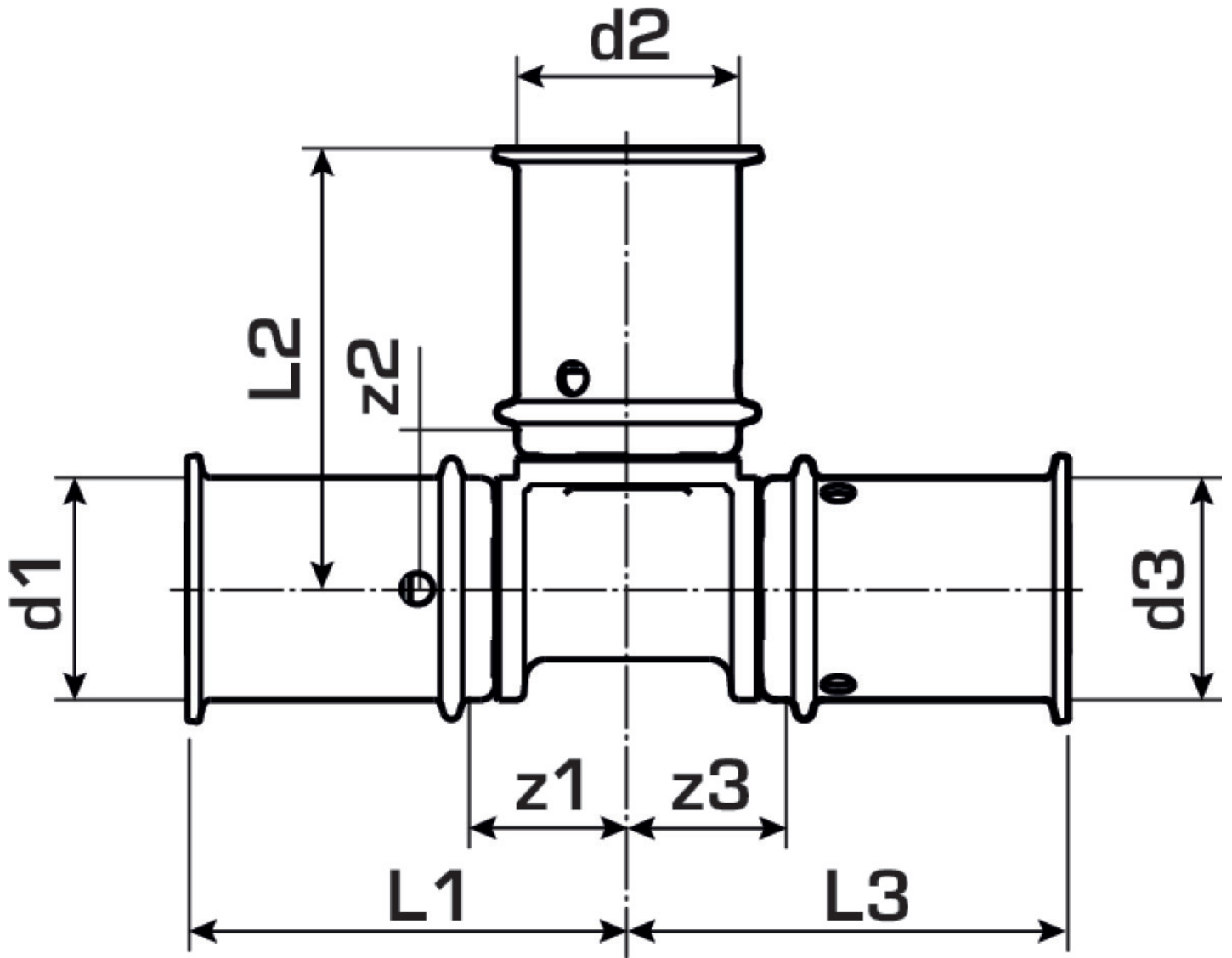
port 1	Pressing socket
port 2	Pressing socket
port 3	Pressing socket
execution	Tee piece
angle	90 °
press contour	SX

Technical properties

maximum working pressure at 20 ° C	10 bar
------------------------------------	--------

Product information

VPE1	4 SA1
VPE2	60 KT1
weight	0,158 KGM
text	?STEELOX tee
INTRNR	74122000
code	SMX440



Art. No	label	d1	d2	d3	L1	L2	L3	z1	z2	z3
57110EBL	25/16/20	25	16	20	49	39	42	16	16.5	16.5