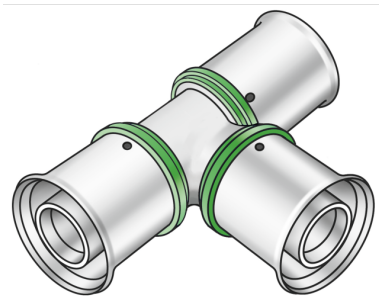


STEELOX

SMX440Z ?STEELOX zeta tee 25/25/25

57111EEE

Areas of application



?Zeta value-optimized press-fit tee, equal or reduced, made of non-porous metallized dezincification-resistant (DZR) brass, incl. support sleeves with O-rings and stainless steel pressing sleeves, "leak before pressed"

Approvals:



DIN CERTCO



KE KELIT GmbH

A 4020 Linz, Ignaz-Mayer-Straße 17, Austria, Europe

PHONE +43 (0) 50 779 E-MAIL office@kekelit.com

www.kekelit.com

Specifications

Article information

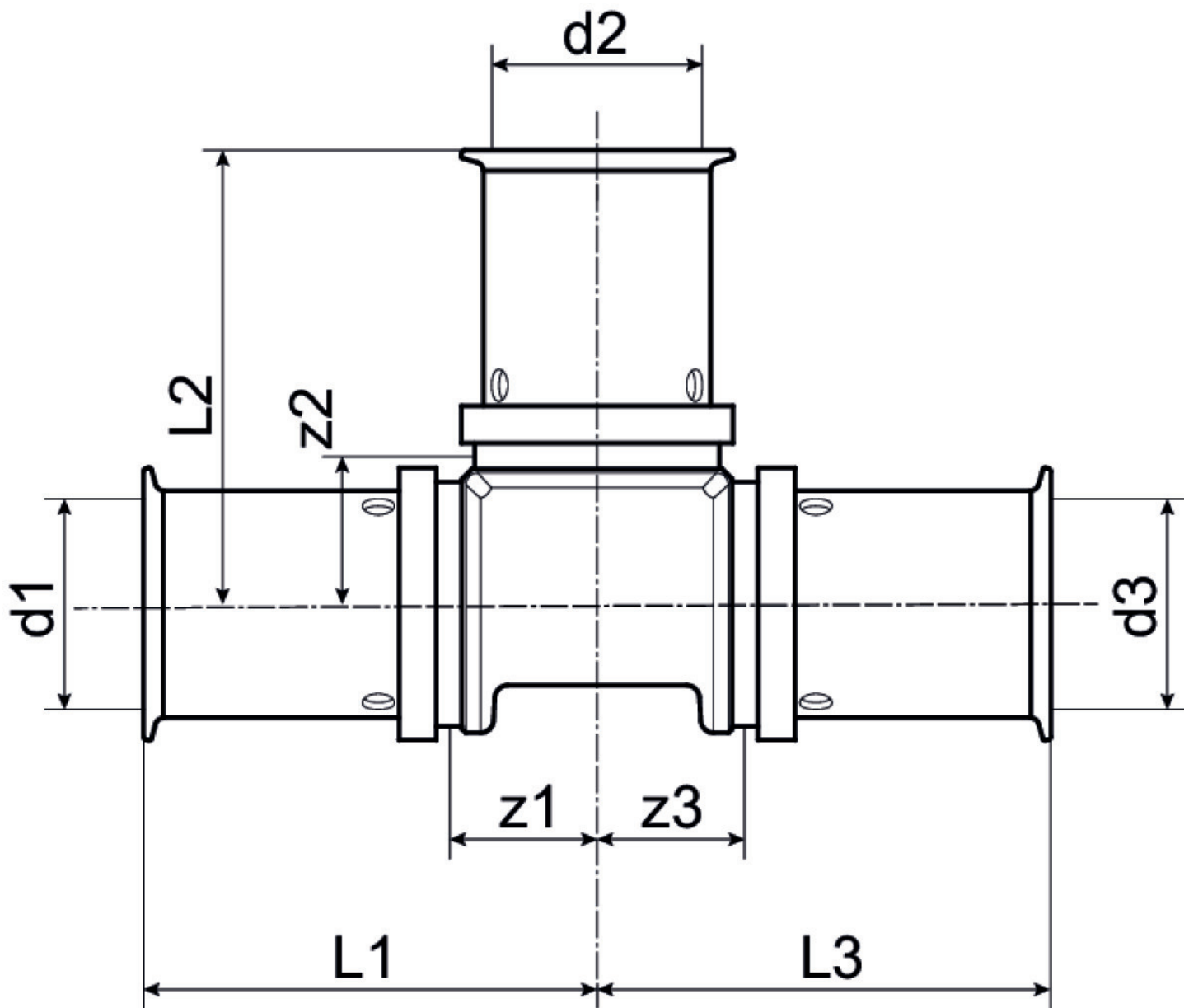
port 1	Pressing socket
port 2	Pressing socket
port 3	Pressing socket
execution	Tee piece
angle	90 °
press contour	SX

Technical properties

maximum working pressure at 20 ° C	10 bar
------------------------------------	--------

Product information

VPE1	4 SA1
VPE2	40 KT1
weight	0,249 KGM
text	?STEELOX zeta tee
INTRNR	74122000
code	SMX440Z



Art. No	label	d1	d2	d3	L1	L2	L3	z1	z2	z3
57111EEE	25/25/25	25	25	25	49	50	49	16	16	16