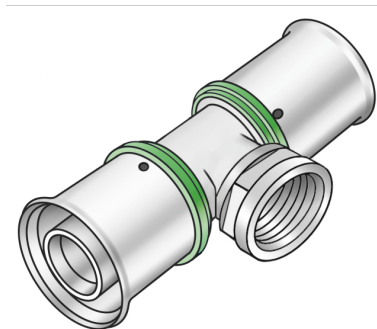


# STEELOX

## SMX447 ?STEELOX tee with female thread branch 16x1/2"

57240B02

### Areas of application



?Press-fit tee with female thread branch, made of non-porous metallized dezincification-resistant brass (DZR), incl. support sleeves with O-rings and stainless steel pressing sleeves, "leak before pressed"

DO NOT join threaded pipe or malleable iron fittings!

## Approvals:



# Specifications

## Article information

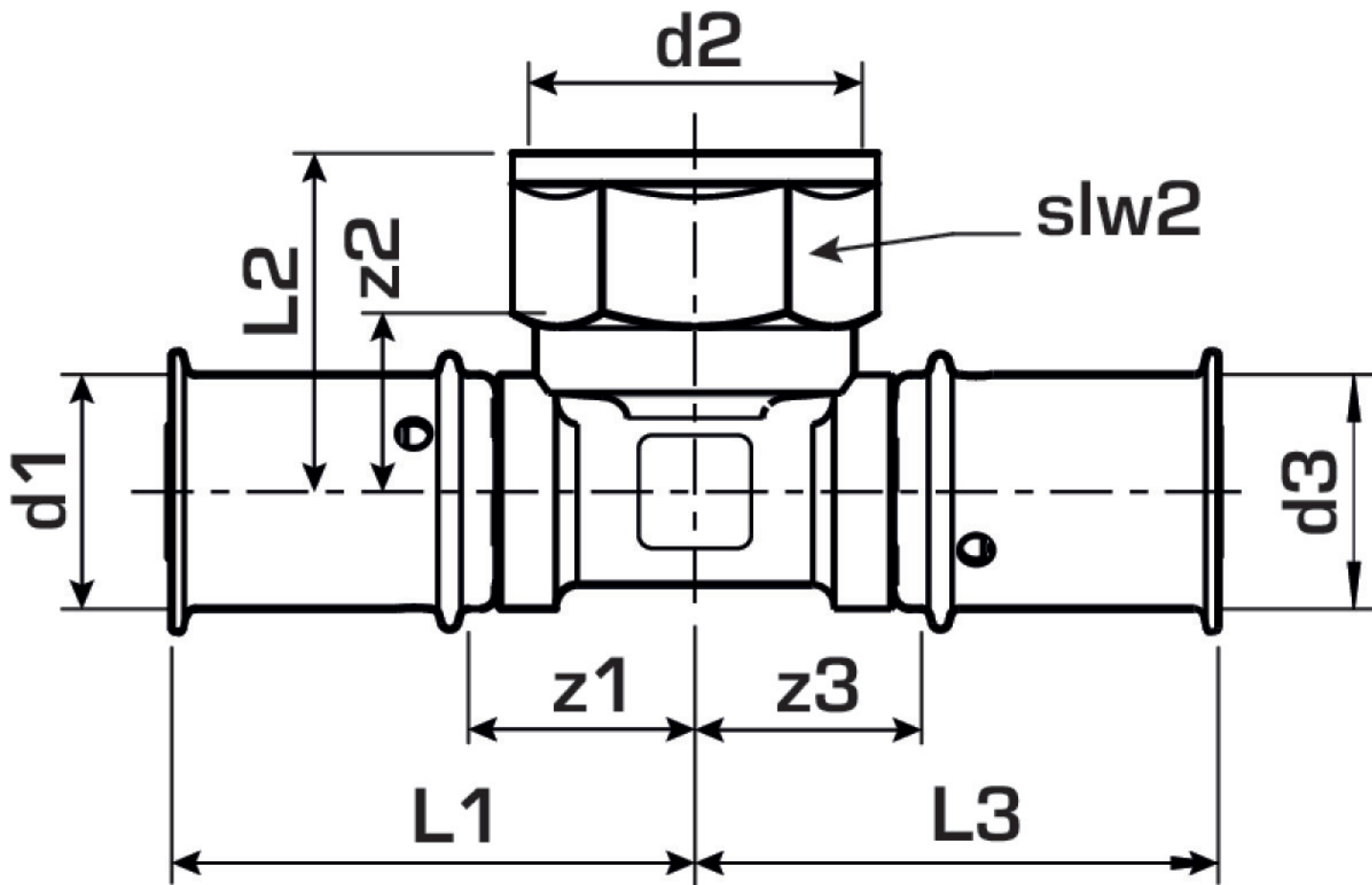
port 1	Pressing socket
port 2	Female thread
port 3	Pressing socket
execution	Tee piece
angle	90 °
press contour	SX

## Technical properties

maximum working pressure at 20 ° C	10 bar
------------------------------------	--------

## Product information

VPE1	10 SA1
VPE2	100 KT1
weight	0,110 KGM
text	?STEELOX tee with female thread branch
INTRNR	74122000
code	SMX447



Art. No	label	d2 Inches	d1	d3	L1	L2	L3	z1	z2	z3	slw1
57240B0	16x1/2"	1/2" (15)	16	16	40	27	40	17	14	17	24