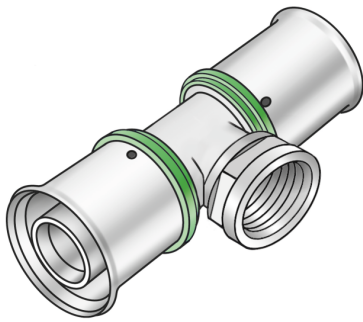


# STEELOX

## SMX447 ?STEELOX tee with female thread branch 25x1/2"

57240E02

### Areas of application



?Press-fit tee with female thread branch, made of non-porous metallized dezincification-resistant brass (DZR), incl. support sleeves with O-rings and stainless steel pressing sleeves, "leak before pressed"

DO NOT join threaded pipe or malleable iron fittings!

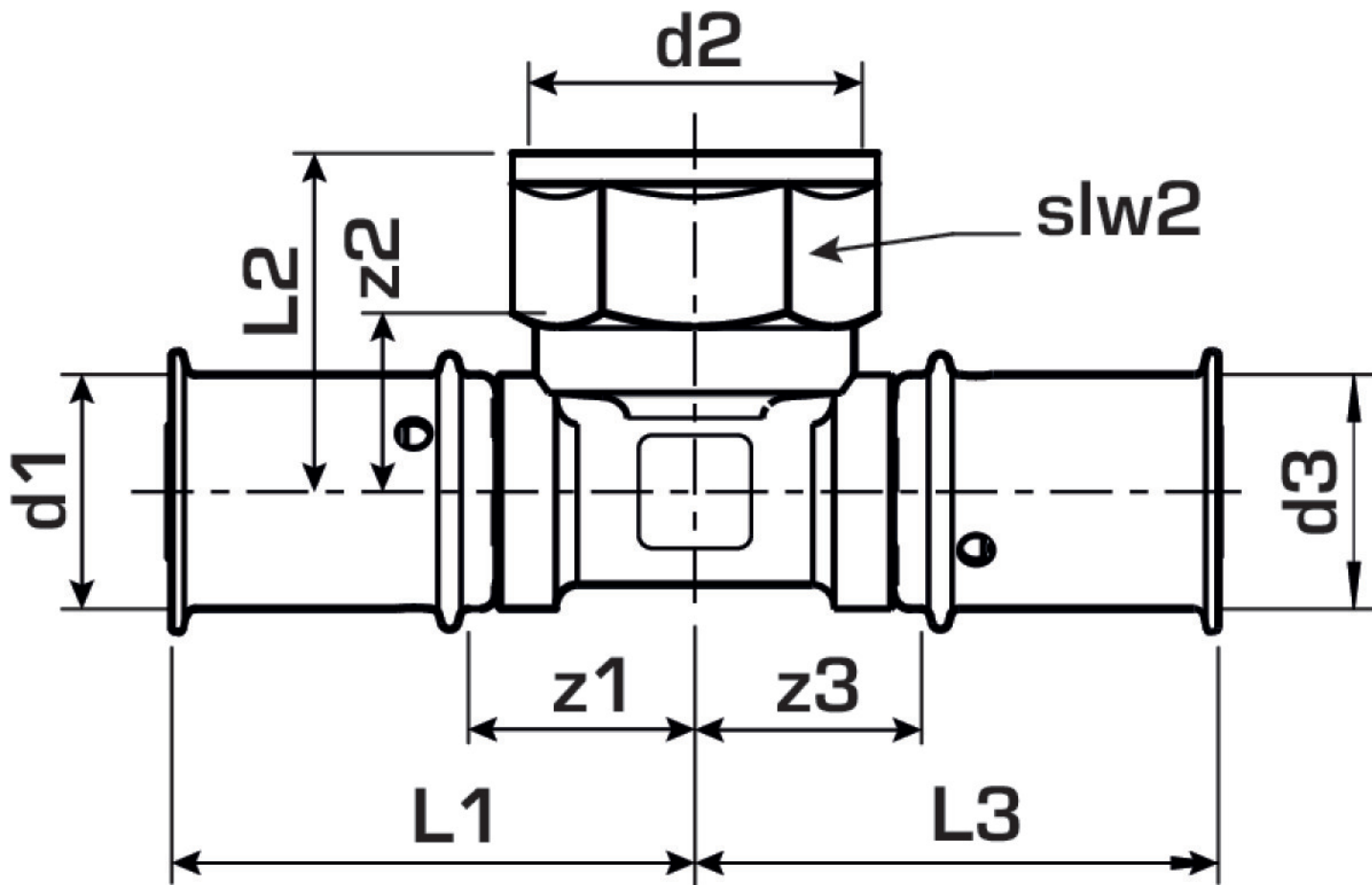
## Approvals:



# Specifications

## Product information

<b>VPE1</b>	4 SA1
<b>VPE2</b>	48 KT1
<b>weight</b>	0,211 KGM
<b>text</b>	?STEELOX tee with female thread branch
<b>INTRNR</b>	74122000
<b>code</b>	SMX447



Art. No	label
57240E02	25x1/2"