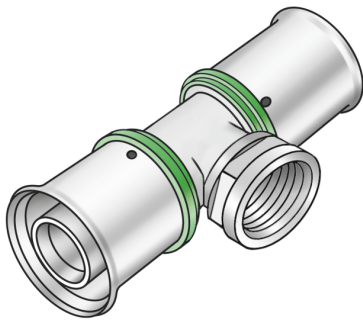


STEELOX

SMX447 ?STEELOX tee with female thread branch 25x3/4"

57240E04

Areas of application



?Press-fit tee with female thread branch, made of non-porous metallized dezincification-resistant brass (DZR), incl. support sleeves with O-rings and stainless steel pressing sleeves, "leak before pressed"

DO NOT join threaded pipe or malleable iron fittings!

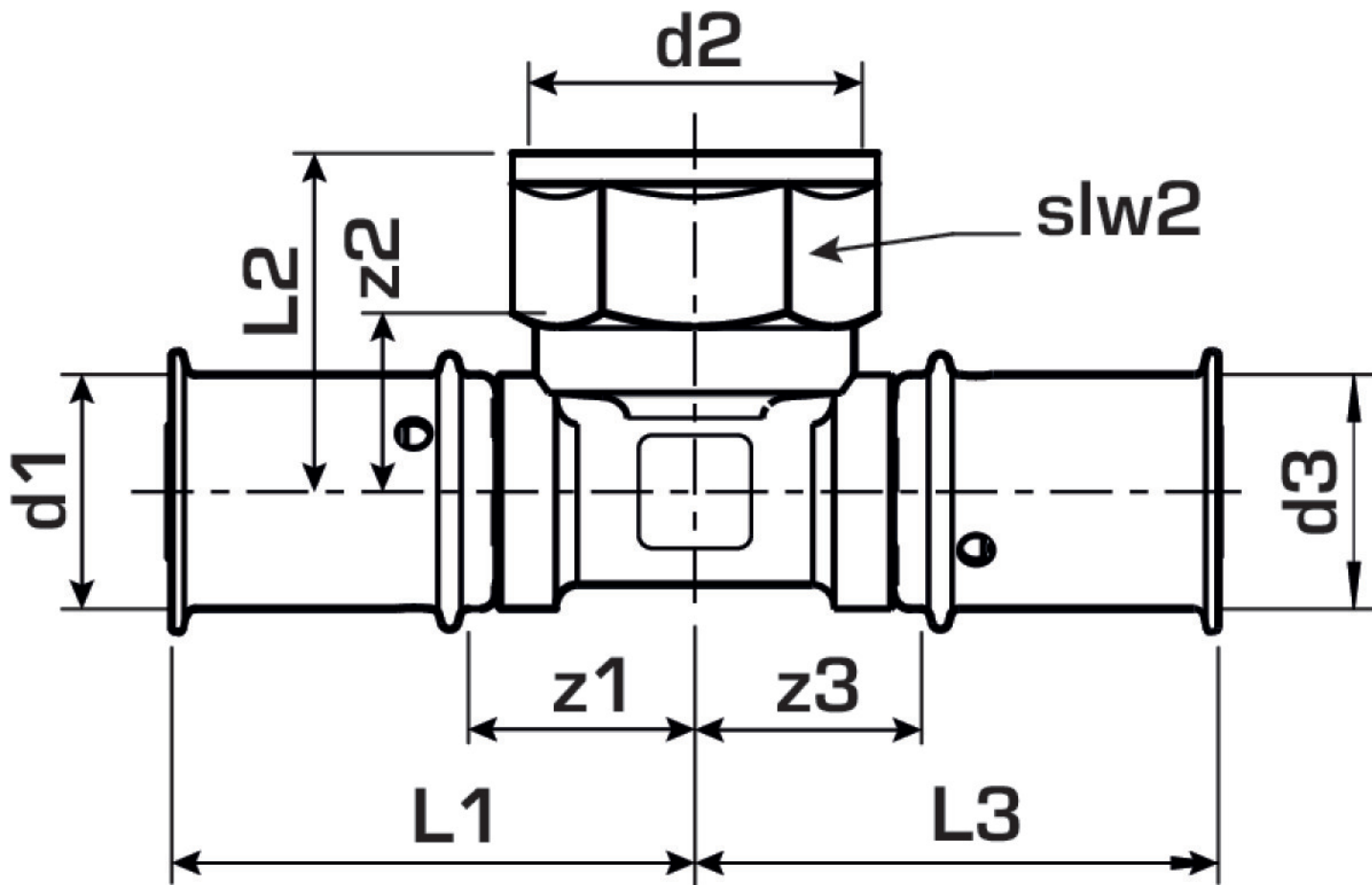
Approvals:



Specifications

Product information

VPE1	4 SA1
VPE2	44 KT1
weight	0,231 KGM
text	?STEELOX tee with female thread branch
INTRNR	74122000
code	SMX447



Art. No

label

57240E04

25x3/4"