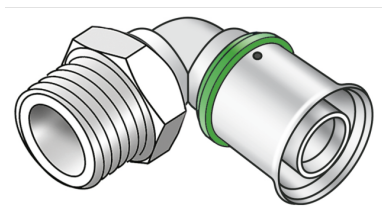


STEELOX

SMX460 ?STEELOX 90° adapter elbow with male thread 20x3/4"

57212D04

Areas of application



?Press-fit adapter elbow with male thread for sealing, made of non-porous metallized dezincification-resistant (DZR) brass, incl. support sleeves with O-rings and stainless steel pressing sleeves, "leak before pressed"

Approvals:



DIN CERTCO



KE KELIT GmbH

A 4020 Linz, Ignaz-Mayer-Straße 17, Austria, Europe

PHONE +43 (0) 50 779 E-MAIL office@kekelit.com

www.kekelit.com

Specifications

Article information

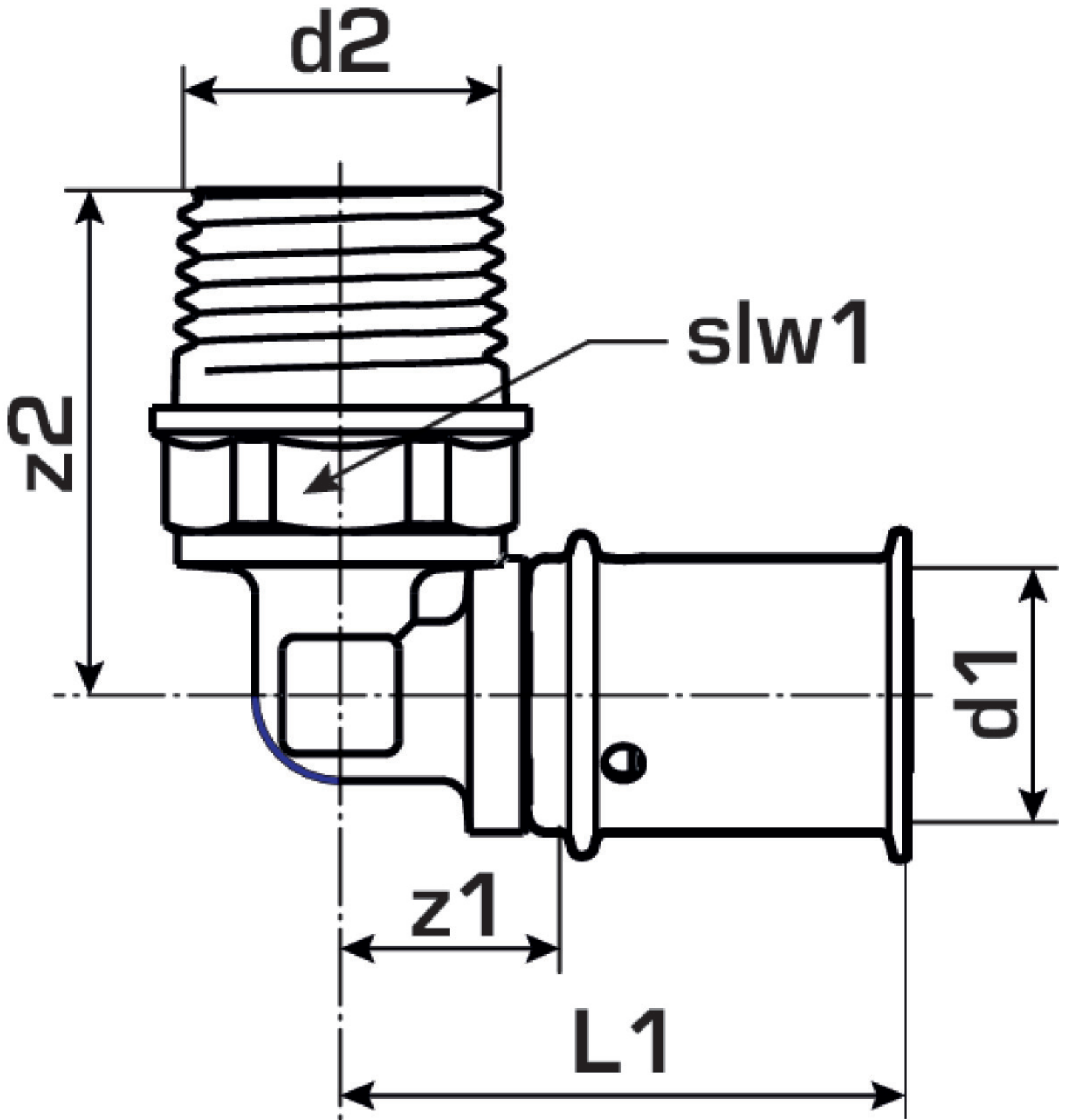
| | |
|---------------|----------------------------|
| port 1 | Pressing socket |
| port 2 | Male thread, conical (NPT) |
| execution | 1-part |
| design | Knee |
| angle | 90 ° |
| press contour | SX |

Technical properties

| | |
|------------------------------------|--------|
| maximum working pressure at 20 ° C | 10 bar |
|------------------------------------|--------|

Product information

| | |
|--------|---|
| VPE1 | 10 SA1 |
| VPE2 | 120 KT1 |
| weight | 0,140 KGM |
| text | ?STEELOX 90° adapter elbow with male thread |
| INTRNR | 74122000 |
| code | SMX460 |



| Art. No | label | d2 Inches | d1 | L1 | L2 | z1 | z2 | slw1 |
|----------|---------|--------------|----|----|----|----|----|------|
| 57212D04 | 20x3/4" | 3/4" (20) | 20 | 41 | 42 | 16 | 42 | 30 |



KE KELIT GmbH

A 4020 Linz, Ignaz-Mayer-Straße 17, Austria, Europe

PHONE +43 (0) 50 779 **E-MAIL** office@kekelit.com

www.kekelit.com