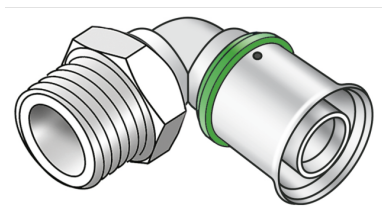


# STEELOX

SMX460 ?STEELOX 90° adapter elbow with male thread 25x3/4"

57212E04

## Areas of application



?Press-fit adapter elbow with male thread for sealing, made of non-porous metallized dezincification-resistant (DZR) brass, incl. support sleeves with O-rings and stainless steel pressing sleeves, "leak before pressed"

## Approvals:



KE KELIT GmbH

A 4020 Linz, Ignaz-Mayer-Straße 17, Austria, Europe

PHONE +43 (0) 50 779 E-MAIL [office@kekelit.com](mailto:office@kekelit.com)

[www.kekelit.com](http://www.kekelit.com)

# Specifications

## Article information

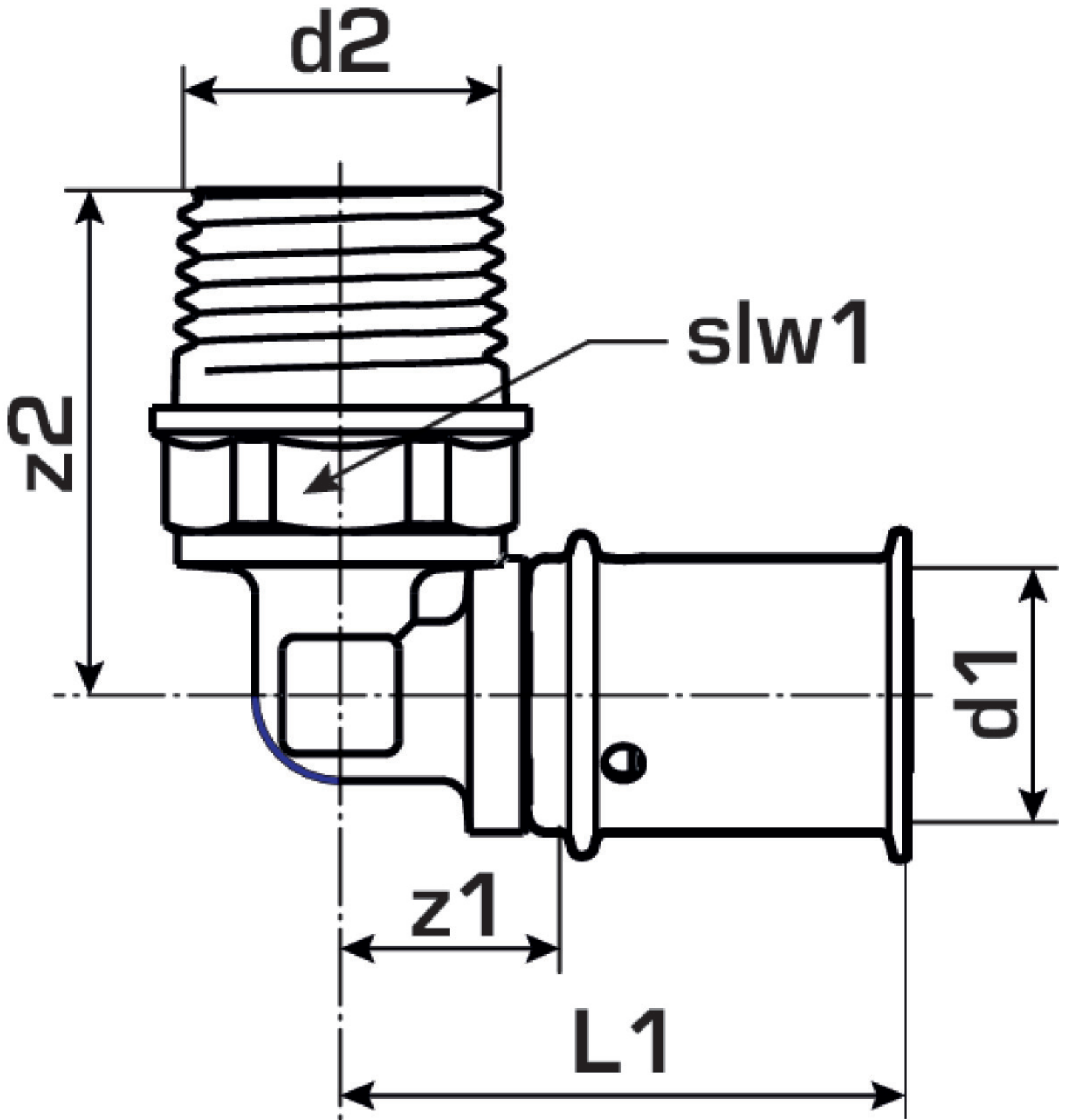
port 1	Pressing socket
port 2	Male thread, conical (NPT)
execution	1-part
design	Knee
angle	90 °
press contour	SX

## Technical properties

maximum working pressure at 20 ° C	10 bar
------------------------------------	--------

## Product information

VPE1	10 SA1
VPE2	90 KT1
weight	0,156 KGM
text	?STEELOX 90° adapter elbow with male thread
INTRNR	74122000
code	SMX460



Art. No	label	d2 Inches	d1	L1	L2	z1	z2	slw1
57212E04	25x3/4"	3/4" (20)	25	50	42	18.5	42	30



**KE KELIT GmbH**

A 4020 Linz, Ignaz-Mayer-Straße 17, Austria, Europe

**PHONE** +43 (0) 50 779 **E-MAIL** [office@kekelit.com](mailto:office@kekelit.com)

[www.kekelit.com](http://www.kekelit.com)