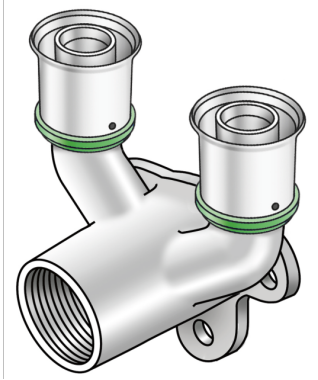


STEELOX

SMX477 ?STEELOX double U wall plate with female thread 16x1/2"

57254B2B

Areas of application



Press-fit double-U wall bracket with female thread made from non-porous dezincification-resistant (DZR) brass; including support sleeves with O-rings and stainless steel press-fit sleeves, "leak before pressed"

Overall height:

1/2" - 46mm

3/4" - 46.5mm

DO NOT screw in threaded pipes and cast iron fittings!

Approvals:



Specifications

Article information

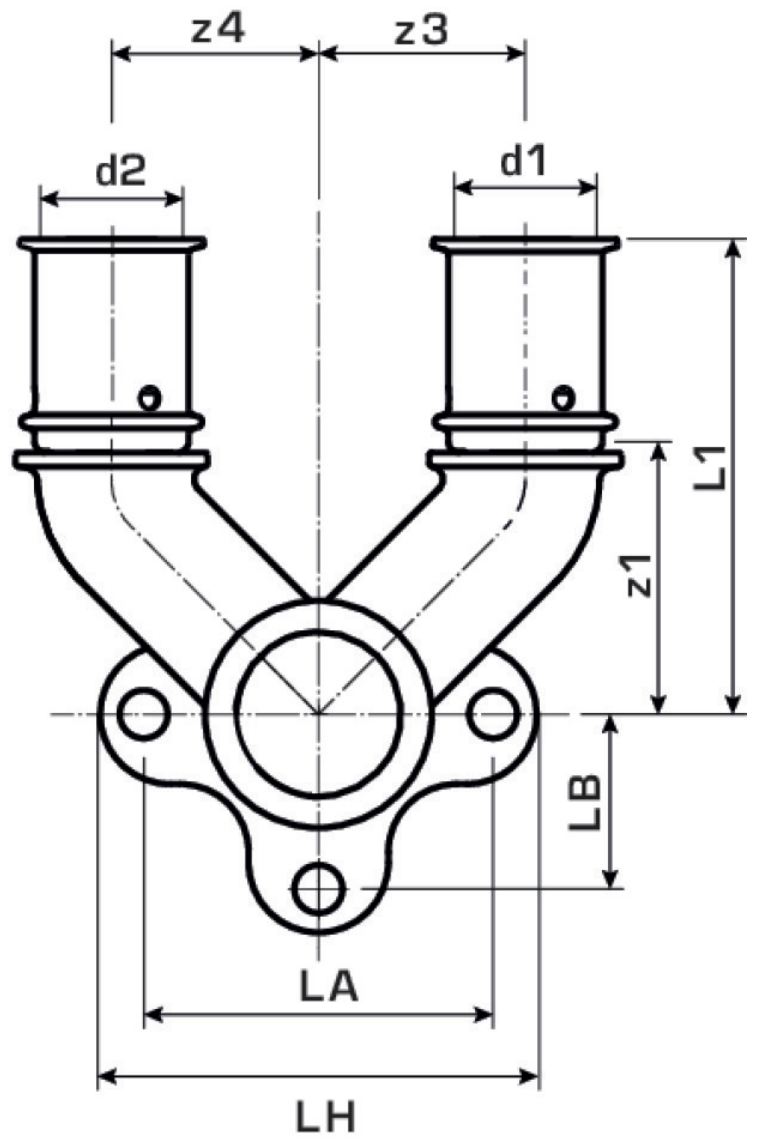
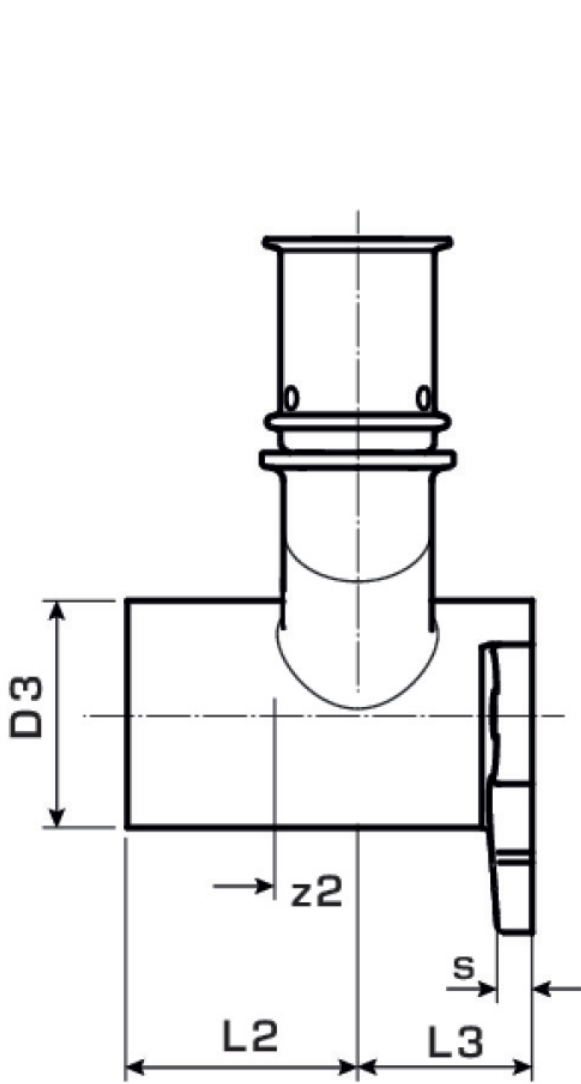
port 1	Pressing socket
design	Continuously right-angled
press contour	SX

Technical properties

maximum working pressure at 20 ° C	10 bar
------------------------------------	--------

Product information

VPE1	10 SA1
VPE2	50 KT1
weight	0,246 KGM
text	?STEELOX double U wall plate with female thread
INTRNR	74122000
code	SMX477



Art. No	label	d1	L1	L2	L3	z1	z2	z3
57254B2B	16x1/2"	16	57	27	20	35	10	25.5