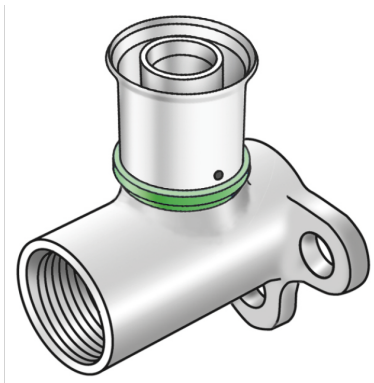


STEELOX

SMX480 ?STEELOX 90° wall bracket fitting with female thread 25x3/4"

57250E04

Areas of application



Press wall bracket fitting with female thread made from non-porous metallised dezincification-resistant (DZR) brass; including support sleeves with O-rings and stainless steel press-fit sleeves, "leak before pressed"

Overall height:

1/2" - 46.5mm

3/4" - 50mm

DO NOT screw in threaded pipes and cast iron fittings!

Approvals:



Specifications

Article information

| | |
|---------------|---------------------------|
| port 1 | Pressing socket |
| design | Continuously right-angled |
| press contour | SX |

Technical properties

| | |
|------------------------------------|--------|
| maximum working pressure at 20 ° C | 10 bar |
|------------------------------------|--------|

Product information

| | |
|--------|--|
| VPE1 | 6,00 SA1 |
| VPE2 | 60,00 KT1 |
| weight | 0,248 KGM |
| text | ?STEELOX 90° wall bracket fitting with female thread |
| INTRNR | 74122000 |
| code | SMX480 |



| Art. No | label | d1 mm | L1 mm | L2 | L3 mm | z1 mm | z2 | z3 mm |
|----------|---------|-------|-------|----|-------|-------|----|-------|
| 57250E04 | 25x3/4" | 25 | 54 | 28 | 30 | 21 | 10 | 13,5 |