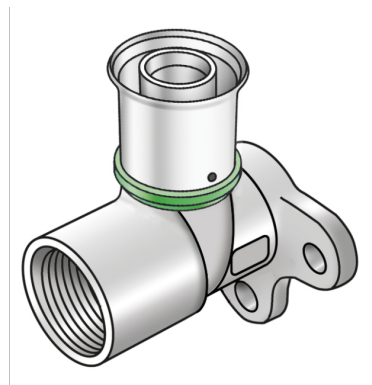


STEELOX

SMX480Z STEELOX zeta 90° wall plate with female thread 16x1/2"

57252B02

Areas of application



Zeta value-optimized press-fit wall bracket with female thread made from non-porous metallized dezincification-resistant (DZR) brass; including support sleeves with O-rings and stainless steel press-fit sleeves, "leak before pressed"

Overall height:

1/2" - 46mm

3/4" - 52mm

DO NOT screw in threaded pipes and cast iron fittings!

Approvals:



Specifications

Article information

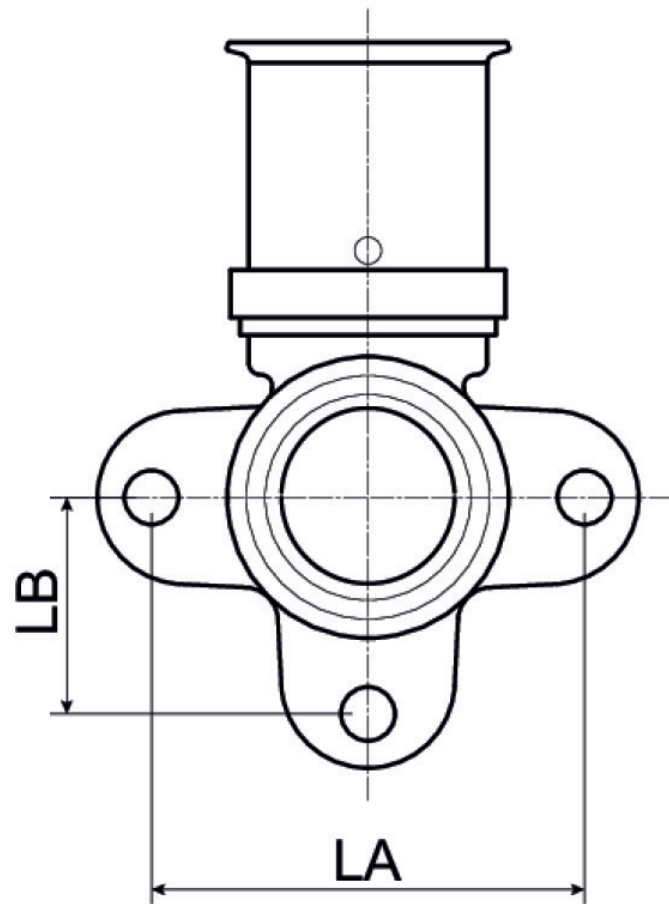
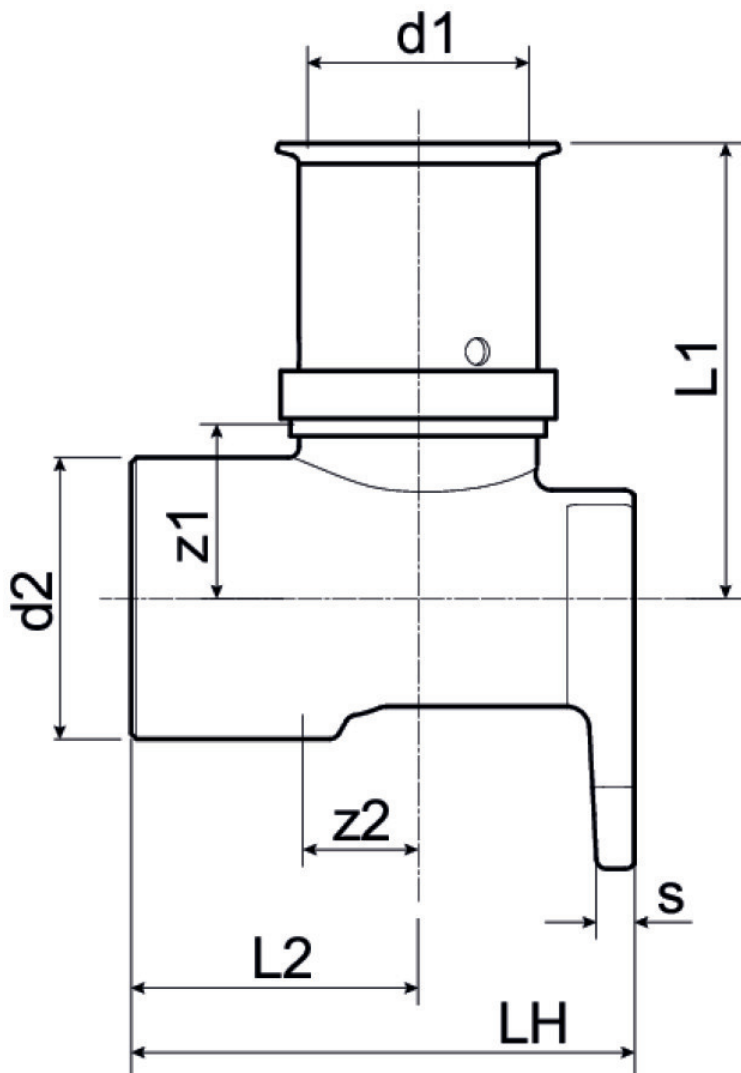
port 1	Pressing socket
design	Continuously right-angled
press contour	SX

Technical properties

maximum working pressure at 20 ° C	10 bar
------------------------------------	--------

Product information

VPE1	10 SA1
VPE2	100 KT1
weight	0,128 KGM
text	?STEELOX zeta 90° wall plate with female thread
INTRNR	74122000
code	SMX480Z



Art. No	label	d1	L1	L2	z1	z2
57252B02	16x1/2"	16	42.5	26.5	20	15