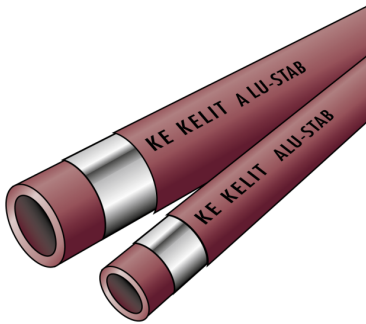


# KETRIX

## TRI01 KETRIX aluminium composite pipe - PN16 40x4.5

55001G00

### Areas of application



KETRIX ALU composite pipe based on EN ISO 15874 oxygen-tight made of polyolefin blend (POB), mechanically stabilising aluminium pipe attached to the outer wall of the medium pipe with a bonding agent and protective layer for COOLING WATER, COLD and COMPRESSED AIR up to 10 bar Area of application: 20°C/16 bar, from -30°C to +40°C/10 bar

Colour: burgundy

Length: 4 m



KE KELIT GmbH

A 4020 Linz, Ignaz-Mayer-Straße 17, Austria, Europe

PHONE +43 (0) 50 779 E-MAIL [office@kekelit.com](mailto:office@kekelit.com)

[www.kekelit.com](http://www.kekelit.com)

# Specifications

## Article information

color Burgundy

trade length 4

isolation No

## Technical properties

maximum working pressure at 20 ° C 16 bar

pipe weight 0.59 kg/m

pipe contents 0.75 l/m

lambda pipe 0.24 W/(m.K)

wall rawness 0.007

expansion coefficient 0.030 mm/(m.K)

## Product information

DIM2 31,0

VPE1 20 BND

L 4 m

weight 0,59 KGM

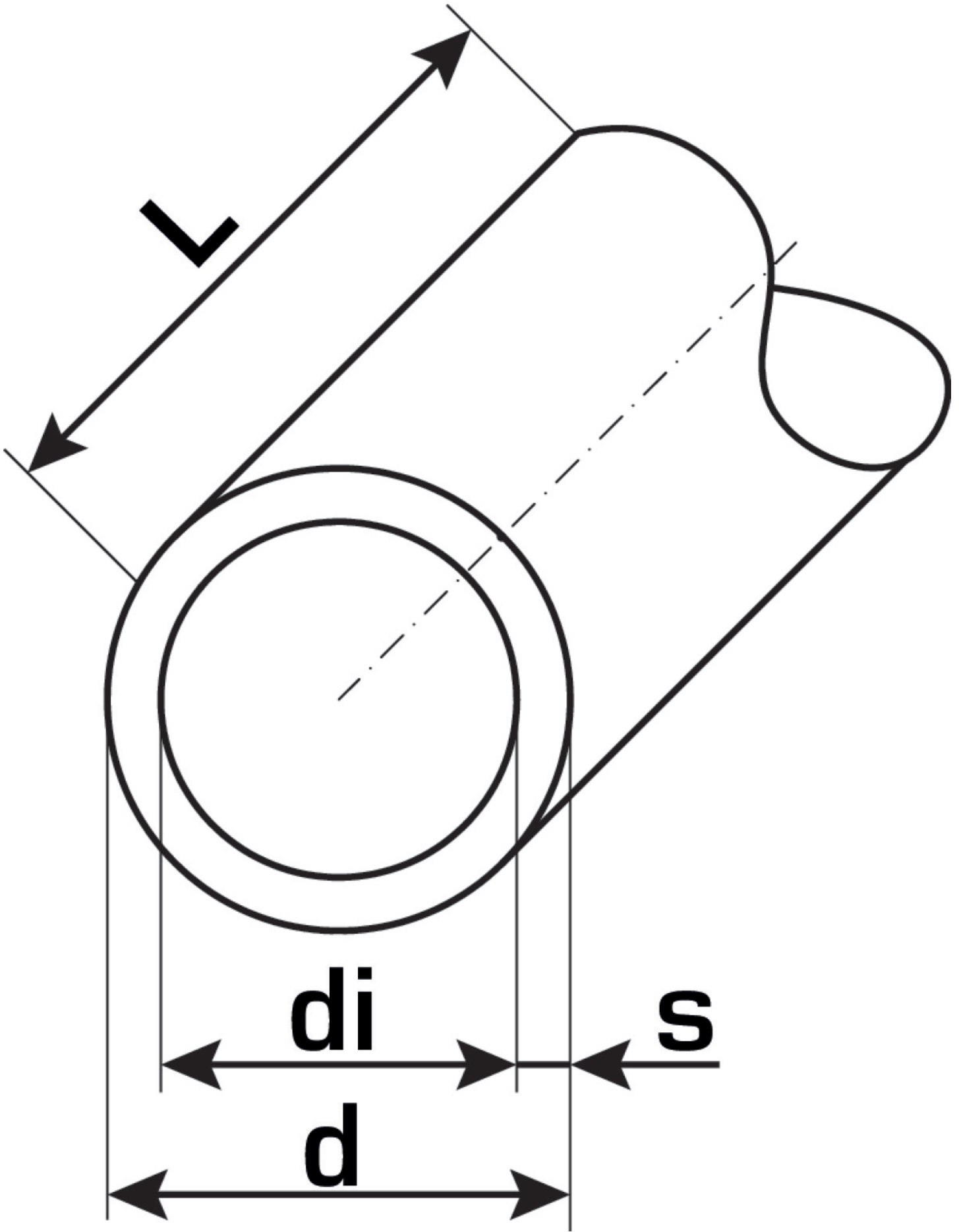
text KETRIX aluminium composite pipe - PN16

INTRNR 39172290

main material group KETRIX

material group KETRIX pipes

code TRI01



Art. No	label	d1	pipe contents l/m	s
55001G00	40x4.5	40	0.75	4.5



**KE KELIT GmbH**

A 4020 Linz, Ignaz-Mayer-Straße 17, Austria, Europe

**PHONE** +43 (0) 50 779 **E-MAIL** [office@kekelit.com](mailto:office@kekelit.com)

[www.kekelit.com](http://www.kekelit.com)