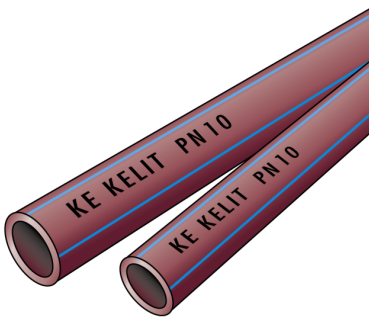


KETRIX

TRI02 KETRIX industrial pipe - PN10 25x2.3

55002E00

Areas of application



KETRIX industrial piping system based on ÖNORM EN ISO 15874 made of polyolefin blend (POB) for COOLING WATER and COLD

Area of application: 20°C/10 bar, from -30°C to +30°C/8 bar

Colour: burgundy with 3 co-extruded blue longitudinal stripes

Length: 4m

Specifications

Article information

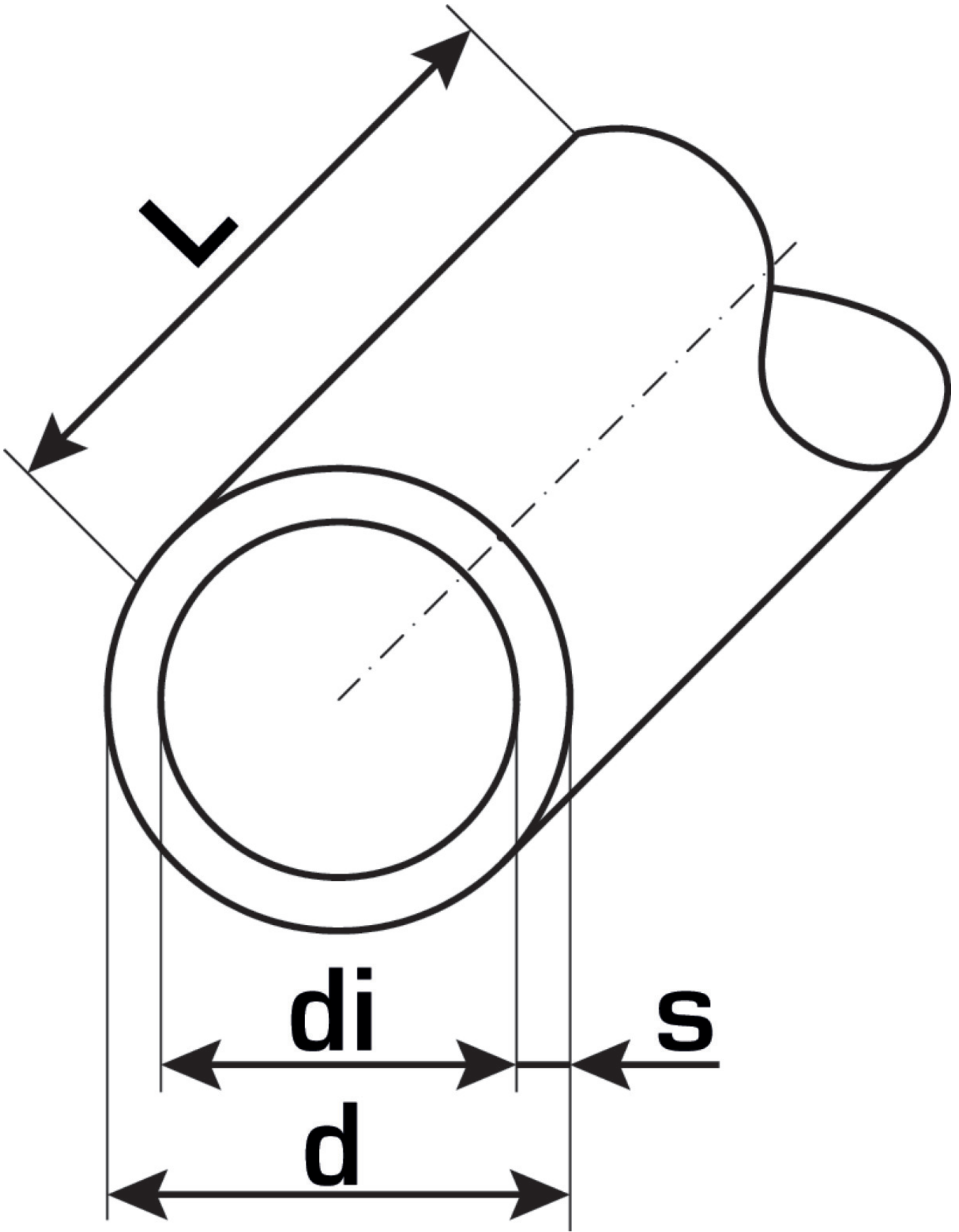
port 1	Pipe end
port 2	Pipe end
color	Burgundy

Technical properties

pipe weight	0.16 kg/m
pipe contents	0.33 l/m
PN	PN 10
lambda pipe	0.24 W/(m.K)
wall rawness	0.007
expansion coefficient	0.14 mm/(m.K)

Product information

DIM2	20,4
VPE1	40 BND
VPE2	4000 HOB
L	4 m
weight	0,16 KGM
text	KETRIX industrial pipe - PN10
INTRNR	39172290
main material group	KETRIX
material group	KETRIX pipes
code	TRI02



Art. No	label	d1	pipe contents l/m	s
55002E00	25x2.3	25	0.33	2.3



KE KELIT GmbH

A 4020 Linz, Ignaz-Mayer-Straße 17, Austria, Europe

PHONE +43 (0) 50 779 **E-MAIL** office@kekelit.com

www.kekelit.com