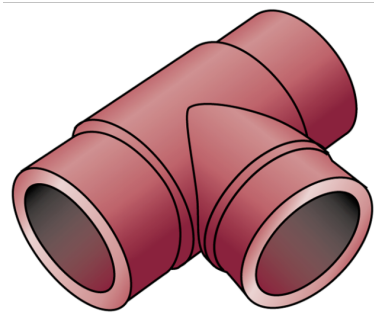


KETRIX

TRI30ST KETRIX equal-tee - PN10 160

55510PPP

Areas of application



KETRIX butt weld fitting PN10, for connecting POB pipes to fittings made of the same material

Specifications

Article information

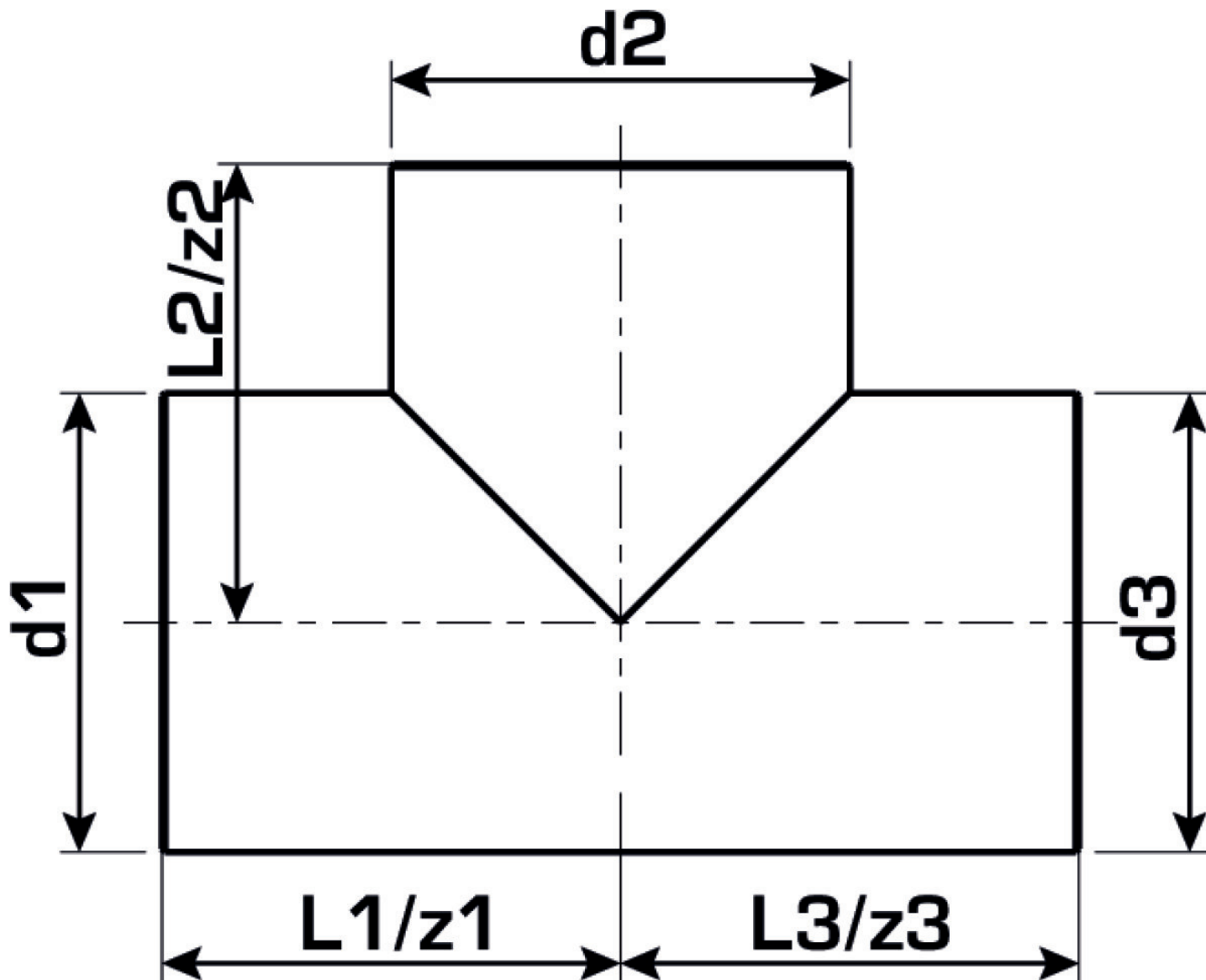
port 1	Plastic welding socket
port 2	Plastic welding socket
port 3	Plastic welding socket
execution	T-piece
angle	90

Technical properties

maximum working pressure at 20 ° C	10 bar
------------------------------------	--------

Product information

VPE1	1 SA1
weight	4,17 KGM
text	KETRIX equal-tee - PN10
INTRNR	39174000
main material group	KETRIX
material group	KETRIX plastic fittings
code	TRI30ST



Art. No	label	d1	d2	d3	L1	L2	L3	z1	z2	z3
55510PPF	160	160	160	160	205	208	205	205	208	205