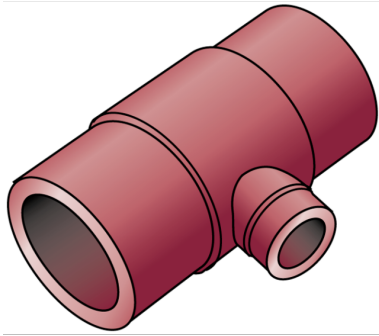


# KETRIX

## TRI35ST KETRIX reducer-tee - PN10 160/110/160

55510PLP

### Areas of application



KETRIX butt weld fitting PN10, for connecting POB pipes to fittings made of the same material

# Specifications

## Article information

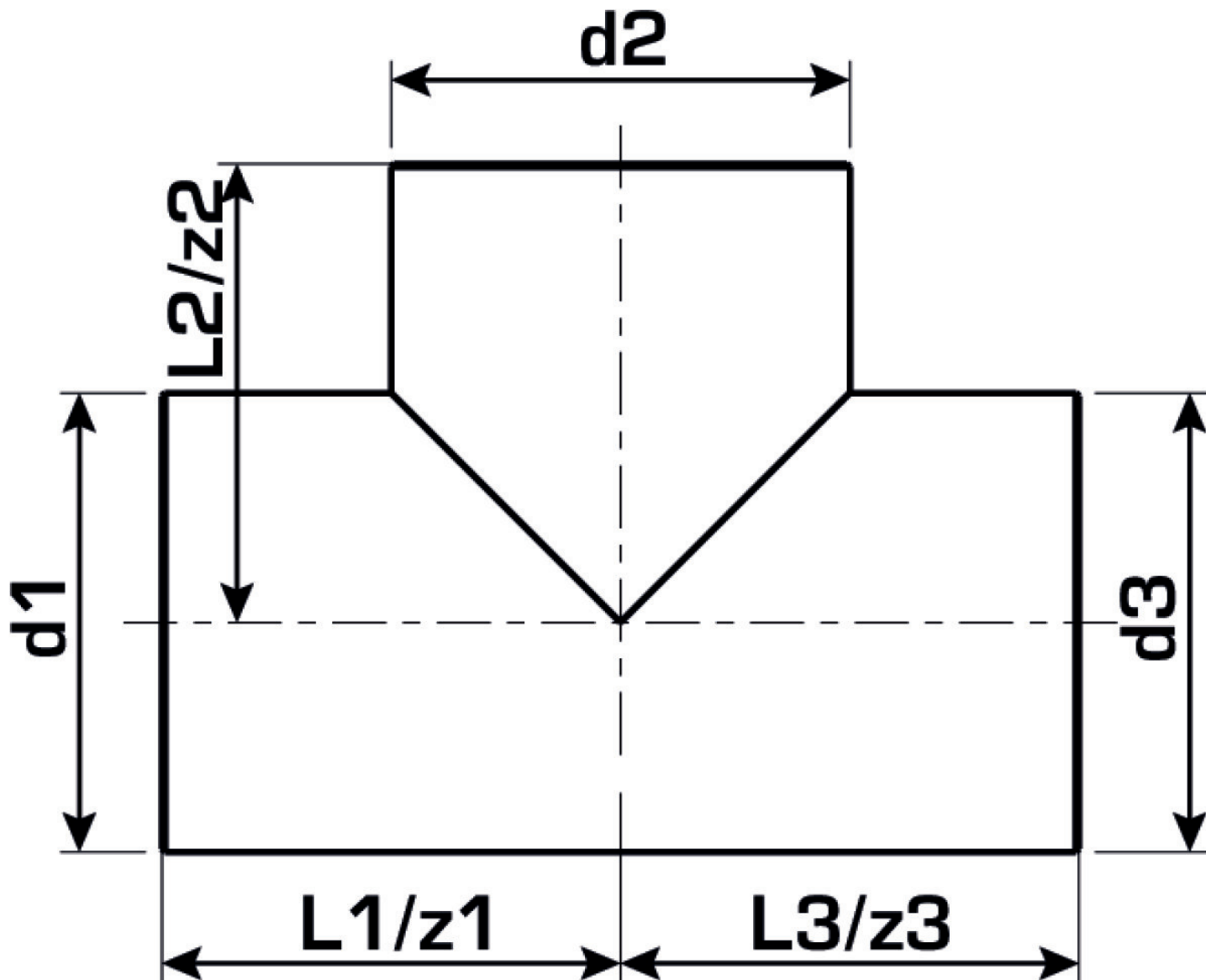
port 1	Pipe end
port 2	Pipe end
port 3	Plastic welding socket
execution	T-piece
angle	90 °

## Technical properties

maximum working pressure at 20 ° C	10 bar
------------------------------------	--------

## Product information

VPE1	1 SA1
weight	3,63 KGM
text	KETRIX reducer-tee - PN10
INTRNR	39174000
main material group	KETRIX
material group	KETRIX plastic fittings
code	TRI35ST



Art. No	label	d1	d2	d3	L1	L2	L3	z1	z2	z3
55510PLF	160/110/1	160	110	160	200	202	200	200	202	200