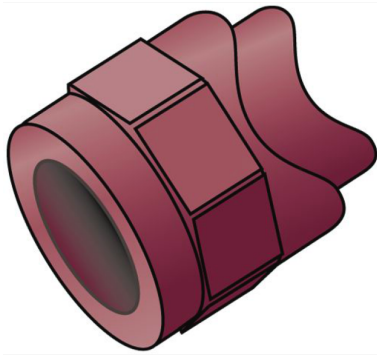


KETRIX

TRI47 KETRIX saddle fitting 40-50x25

55118HE0

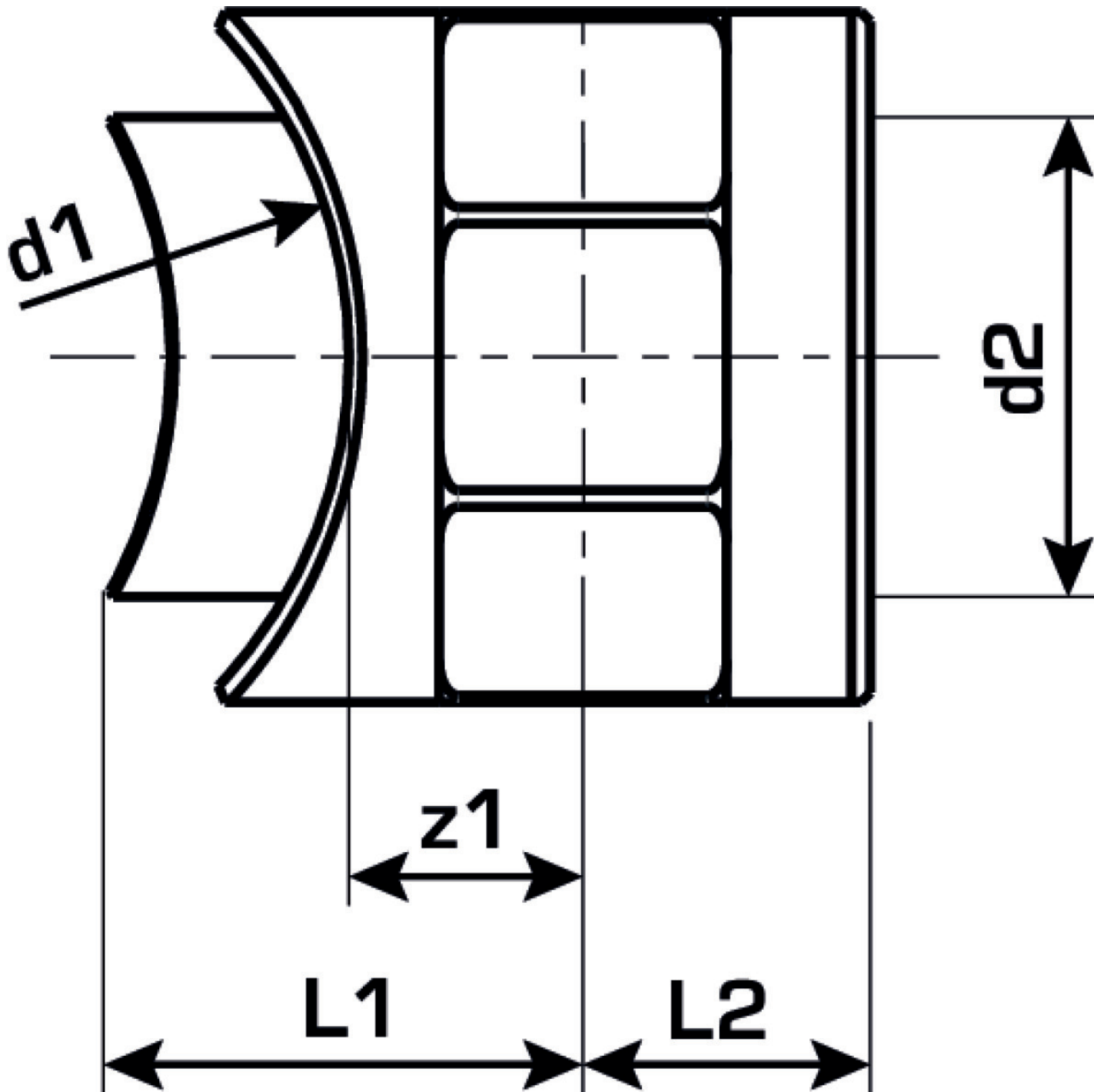
Areas of application



KETRIX polyfusion weld fitting for connecting to POB pipes made of the same material without narrowing the cross section. For welding directly to pipelines that have already been installed; welding is carried out using a WZ124 saddle welding tool.

Specifications

Product information	
VPE1	5 SA1
VPE2	100 KT1
VPE3	600 KT2
VPE4	9600 PAL
weight	0,021 KGM
text	KETRIX saddle fitting
INTRNR	39174000
main material group	KETRIX
material group	KETRIX plastic fittings
code	TRI47



Art. No	label	d1	L2	z1
55118HE0	40-50x25	25	15	13