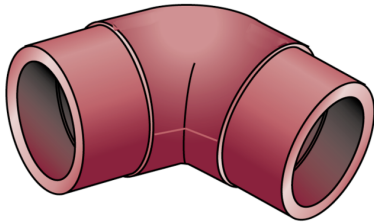


KETRIX

TRI70ST KETRIX elbow 45° - PN10 160

55506PP0

Areas of application



KETRIX butt weld fitting PN10, for connecting POB pipes to fittings made of the same material

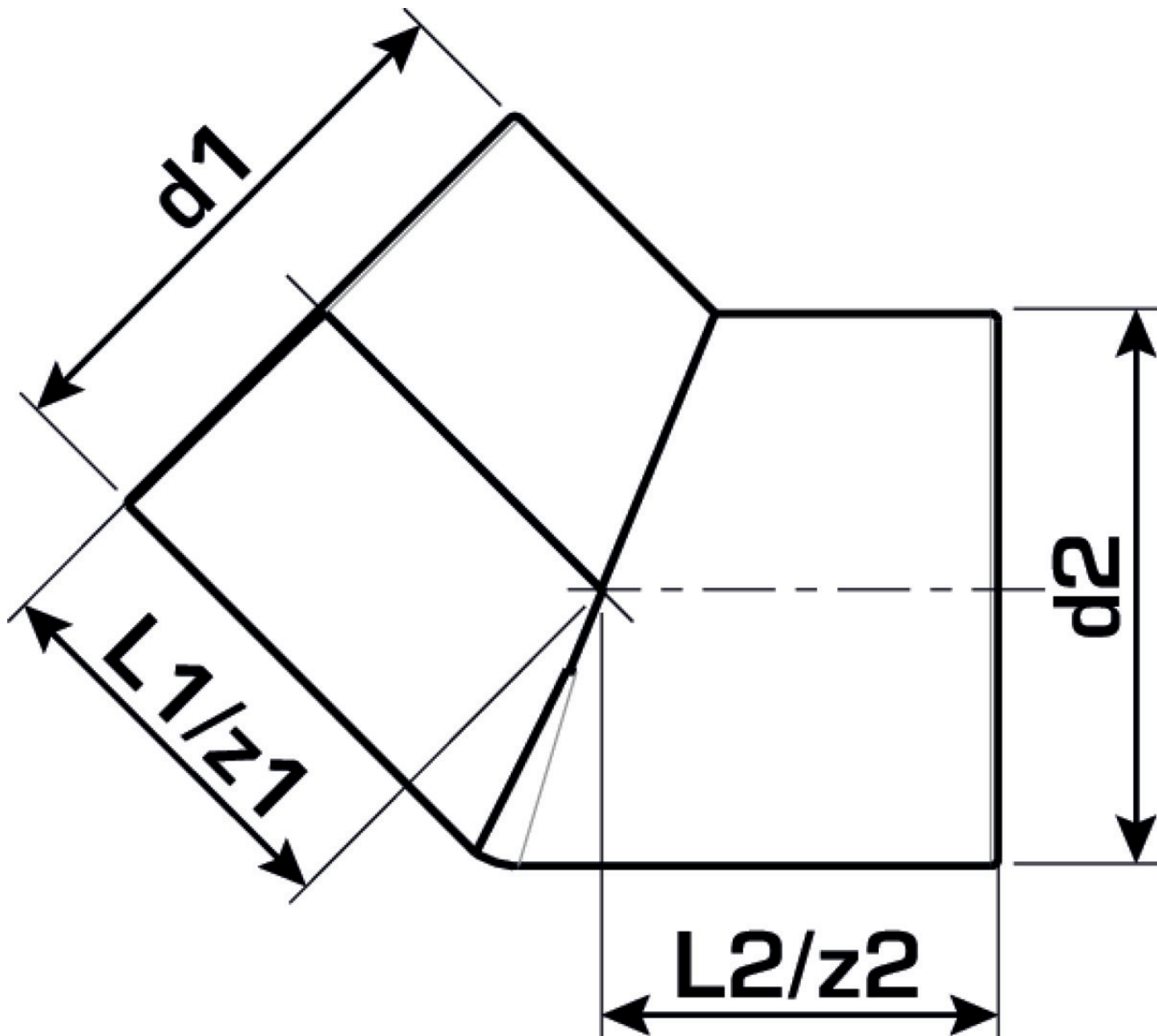
Specifications

Article information

port 1	Plastic welding end
port 2	Plastic welding end
execution	1-part
design	Elbow
angle	45 °

Product information

VPE1	1 SA1
weight	2,4 KGM
text	KETRIX elbow 45° - PN10
INTRNR	39174000
main material group	KETRIX
material group	KETRIX plastic fittings
code	TRI70ST



Art. No	label	d1	d2	L1	L2	z1	z2
55506PP0	160	160	160	156.5	156.5	156.5	156.5