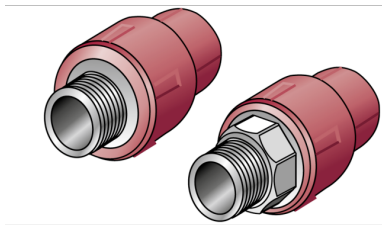


KETRIX

TRI11 KETRIX adaptor with male thread 32x3/4"

55210F04

Areas of application

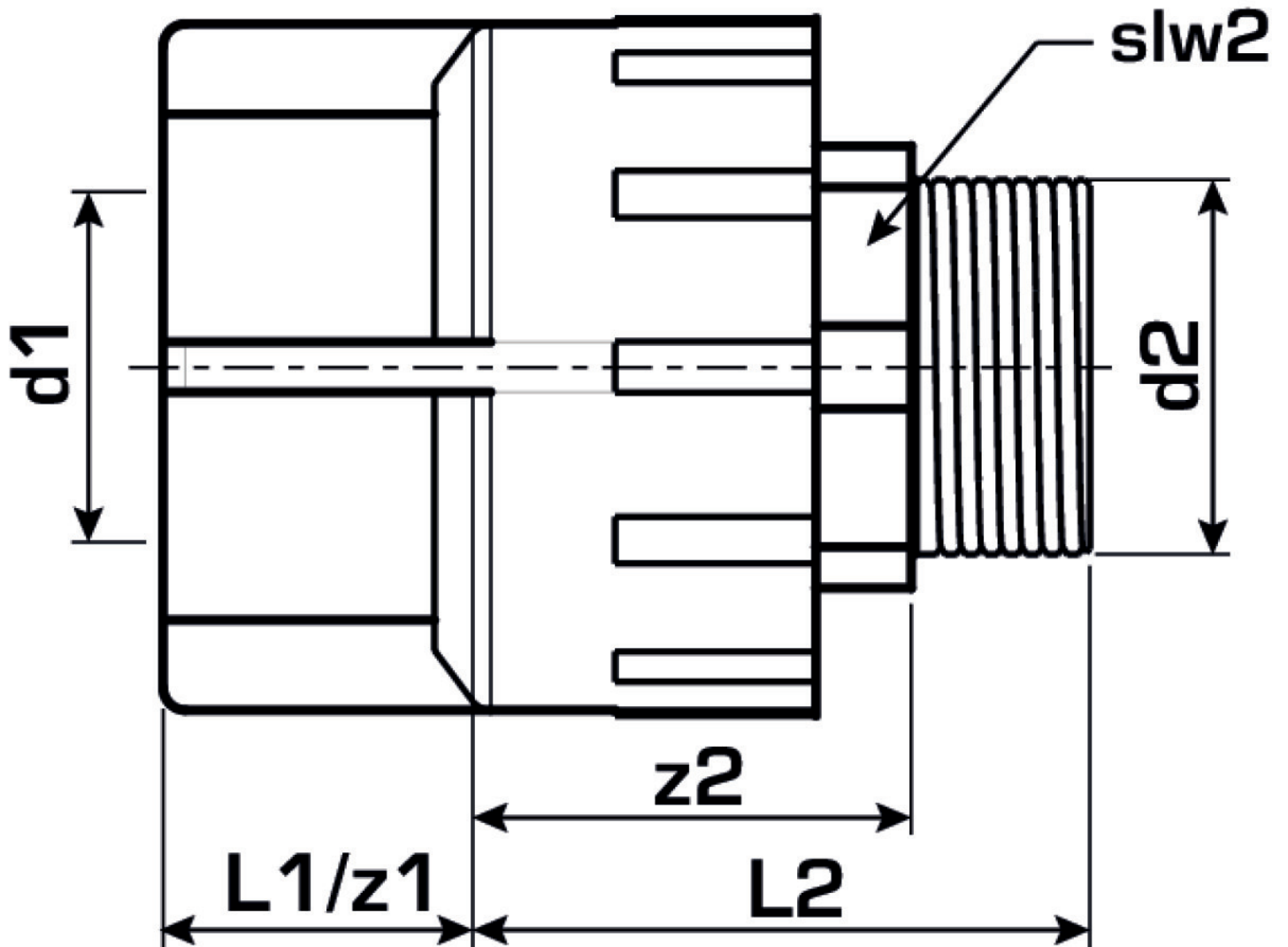


KETRIX polyfusion weld fitting for connecting POB pipes with fittings made of the same material without narrowing the cross-section, with injected male thread made of dezincification-resistant non-porous metallized brass, thread conforms to ÖNORM EN 10226

System parts marked with an "S" are produced with a wrench attachment connection.

Specifications

Product information	
VPE1	5 SA1
VPE2	40 KT1
VPE3	160 KT2
VPE4	3840 PAL
weight	0,149 KGM
text	KETRIX adaptor with male thread
INTRNR	39174000
main material group	KETRIX
material group	KETRIX metal fittings
code	TRI11



Art. No

label

55210F04

32x3/4"