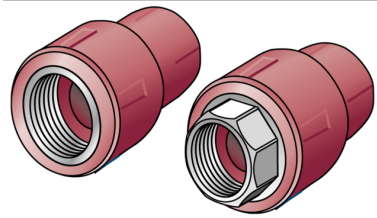


KETRIX

TRI13 KETRIX adaptor with female thread 75x2 1/2"S

55212J12

Areas of application



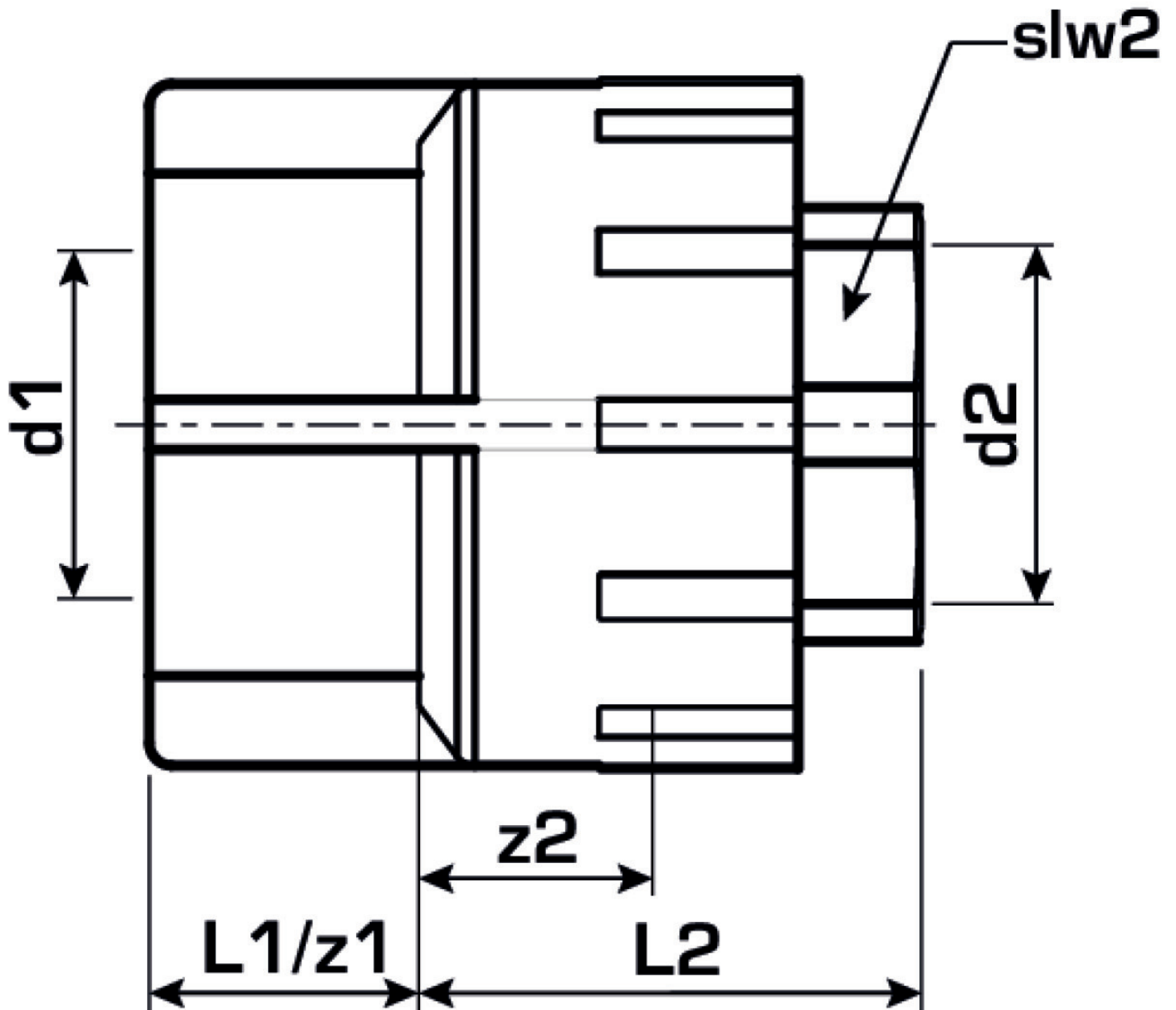
KETRIX polyfusion weld fitting for connecting POB pipes with fittings made of the same material without narrowing the cross-section, with injected male thread made of dezincification-resistant non-porous metallized brass, threads conform to ÖNORM EN 10226.

System parts marked with an "S" are produced with a wrench attachment connection

Do NOT connect to threaded pipes or to cast iron fittings!

Specifications

Product information	
VPE1	1 SA1
VPE2	5 KT1
VPE3	20 KT2
VPE4	480 PAL
weight	0,984 KGM
text	KETRIX adaptor with female thread
INTRNR	39174000
main material group	KETRIX
material group	KETRIX metal fittings
code	TRI13



Art. No	label
55212J12	75x2 1/2"S