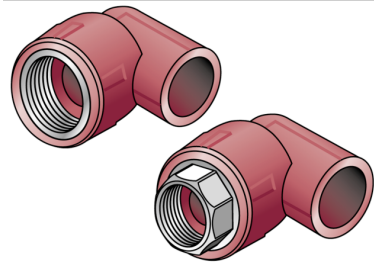


# KETRIX

## TRI23 KETRIX 90° adapter elbow with female thread 32x1"S

55216F05

### Areas of application



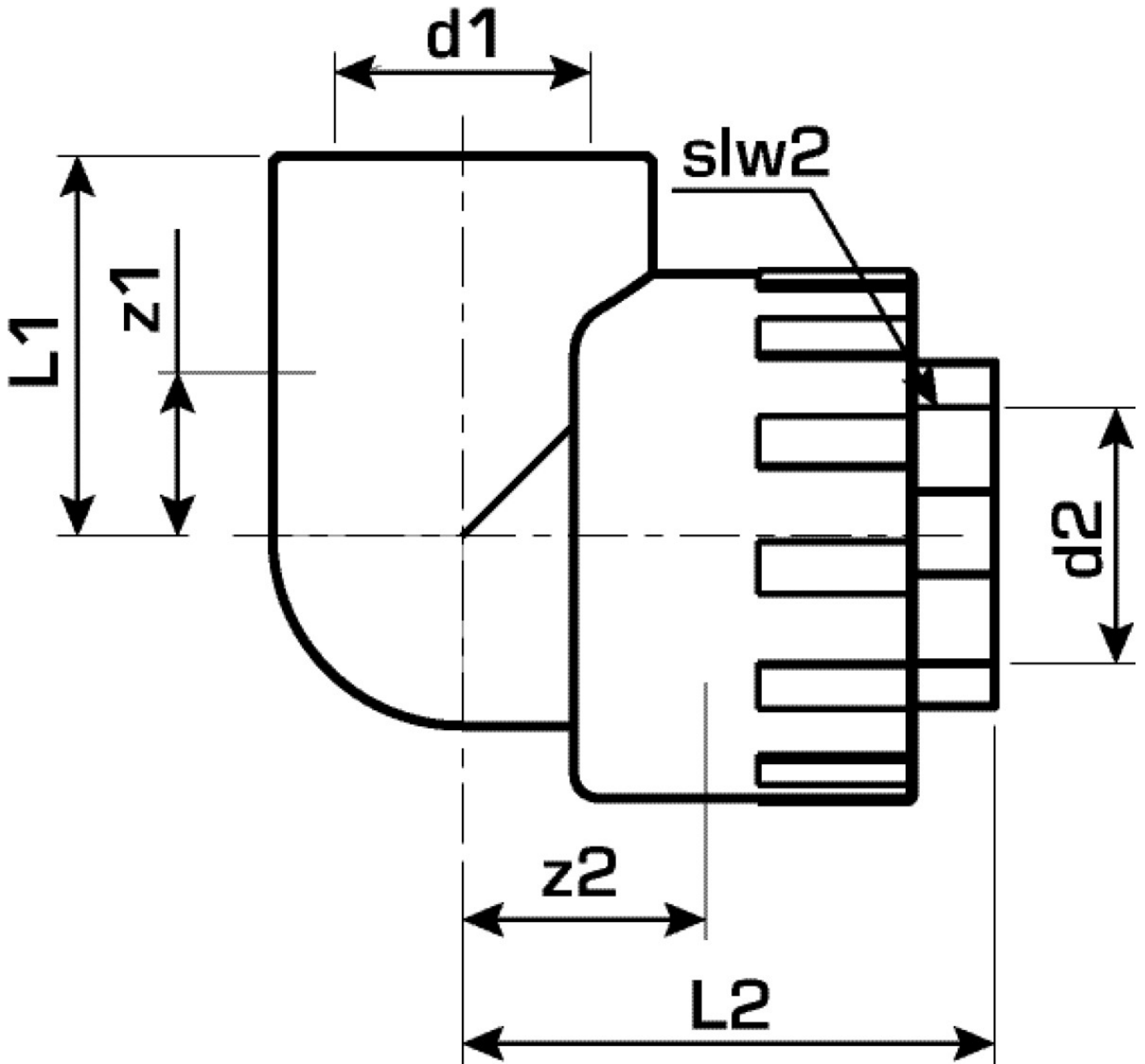
KETRIX polyfusion weld fitting for connecting POB pipes with fittings made of the same material without narrowing the cross-section, with injected male thread made of dezincification-resistant brass and non-porous metal-plating, thread conforms to ÖNORM EN 10226

System parts marked with an "S" are produced with a wrench attachment connection

Do NOT connect to threaded pipes or to cast iron fittings!

# Specifications

| Product information |   |
|---------------------|---|
| VPE1                | 5,00 SA1                                    |
| VPE2                | 30,00 KT1                                   |
| VPE3                | 120,00 KT2                                  |
| VPE4                | 2880,00 PAL                                 |
| weight              | 0,220 KGM                                   |
| text                | KETRIX 90° adapter elbow with female thread |
| INTRNR              | 39174000                                    |
| main material group | KETRIX                                      |
| material group      | KETRIX metal fittings                       |
| code                | TRI23                                       |



| Art. No  | label  |
|----------|--------|
| 55216F05 | 32x1"S |