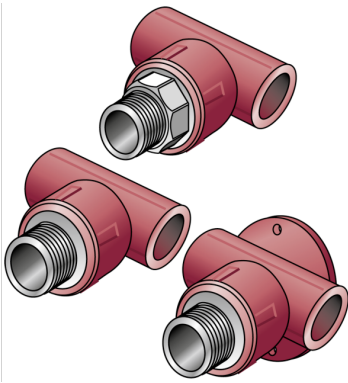


KETRIX

TRI31 KETRIX tee with male thread branch 25x3/4"

55218E04

Areas of application



KETRIX polyfusion weld fitting for connecting POB pipes with fittings made of the same material without narrowing the cross-section, with injected male thread made of dezincification-resistant non-porous metallized brass, thread conforms to ÖNORM EN 10226

System parts marked with an "S" are produced with a wrench attachment connection.

Specifications

Technical properties

maximum working pressure at 20 ° C 16 bar

Product information

VPE1 10 SA1

VPE2 40 KT1

VPE3 160 KT2

VPE4 3840 PAL

weight 0,129 KGM

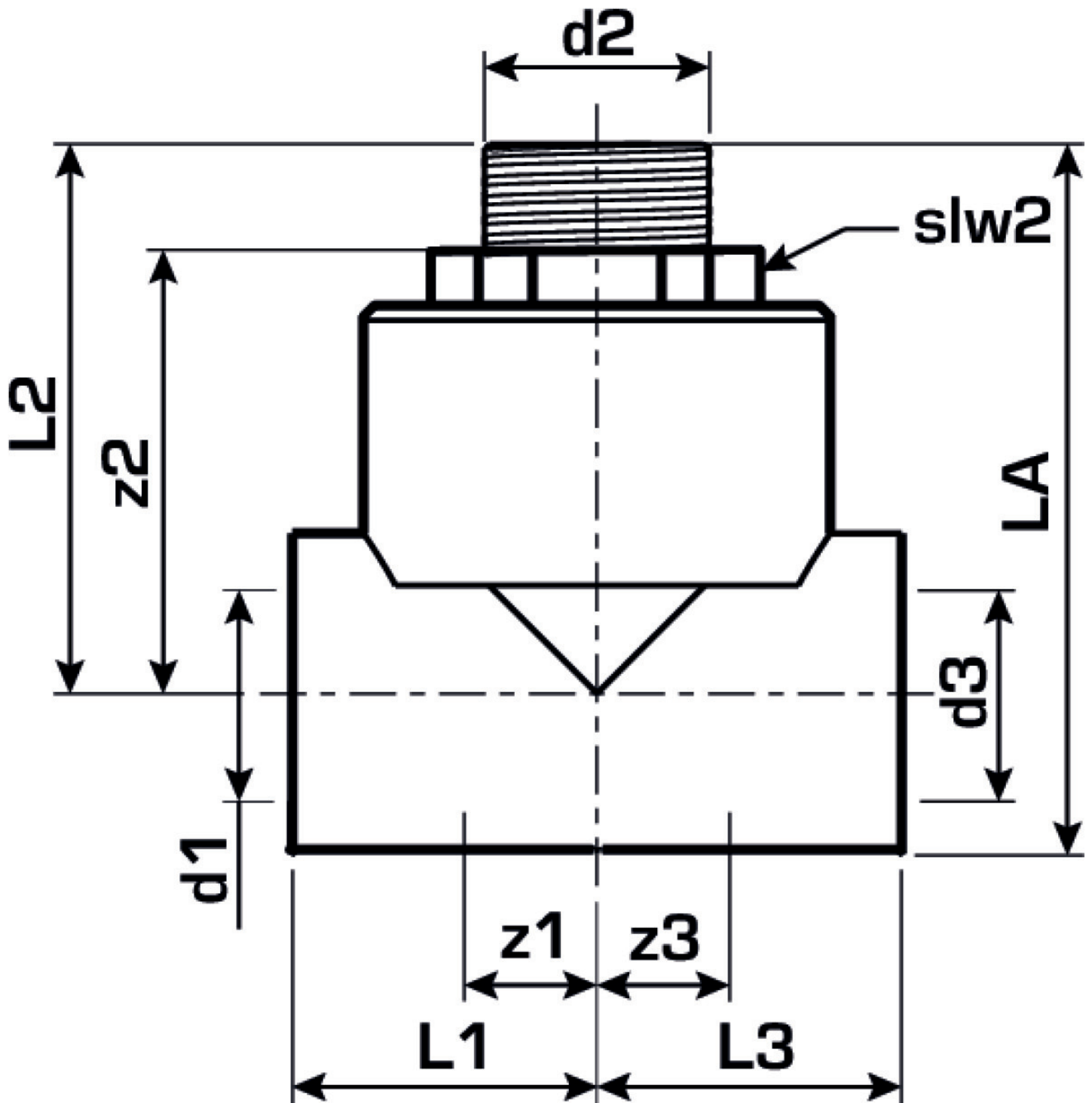
text KETRIX tee with male thread branch

INTRNR 39174000

main material group KETRIX

material group KETRIX metal fittings

code TRI31



Art. No	label
55218E04	25x3/4"