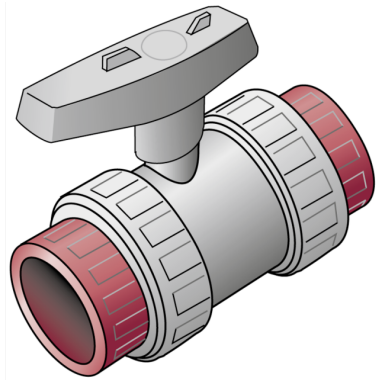


KETRIX

TRI51P KETRIX plastic ball valve PN6 - PN16 25

55232EE0

Areas of application



KETRIX plastic ball valve with two detachable screw fittings for polyfusion weld connections with POB pipes without narrowing the cross section

Pressure levels:

d20-d63 - PN16

d75-d90 - PN10

d110 - PN6 - ONLY cold water

Plastic sockets are available separately!

ATTENTION, NOT suitable for freezing temperatures - valve body made of PVC!

ATTENTION, DO NOT use for compressed air, please use commercially available compressed air fittings!

Specifications

Product information	
VPE1	1,00 SA1
VPE2	20,00 KT1
VPE3	120,00 KT2
VPE4	1920,00 PAL
weight	0,330 KGM
text	KETRIX plastic ball valve PN6 - PN16
INTRNR	39174000
main material group	KETRIX
material group	KETRIX metal fittings
code	TRI51P

Art. No	label
55232EE0	25