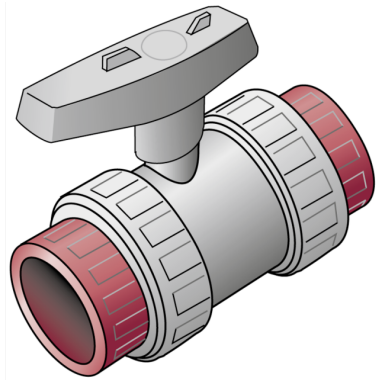


# KETRIX

## TRI51P KETRIX plastic ball valve PN6 - PN16 50

55232HH0

### Areas of application



KETRIX plastic ball valve with two detachable screw fittings for polyfusion weld connections with POB pipes without narrowing the cross section

Pressure levels:

d20-d63 - PN16

d75-d90 - PN10

d110 - PN6 - ONLY cold water

Plastic sockets are available separately!

ATTENTION, NOT suitable for freezing temperatures - valve body made of PVC!

ATTENTION, DO NOT use for compressed air, please use commercially available compressed air fittings!

# Specifications

Product information	
VPE1	1,00 SA1
VPE2	5,00 KT1
VPE3	30,00 KT2
VPE4	480,00 PAL
weight	1,120 KGM
text	KETRIX plastic ball valve PN6 - PN16
INTRNR	39174000
main material group	KETRIX
material group	KETRIX metal fittings
code	TRI51P

Art. No	label
55232HH0	50