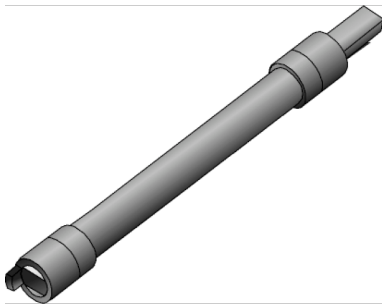


# KETRIX

## TRI51V KETRIX handle extension for TRI51P 25-32

55234EF0

### Areas of application



KETRIX handle extension, comprising: handle coupling, shaft coupling and extension tube for cutting to length

Material: PVC

Length: max. 350mm

# Specifications

| Product information |                                    |
|---------------------|------------------------------------|
| VPE1                | 1,00 SA1                           |
| weight              | 0,082 KGM                          |
| text                | KETRIX handle extension for TRI51P |
| INTRNR              | 39174000                           |
| main material group | KETRIX                             |
| material group      | KETRIX metal fittings              |
| code                | TRI51V                             |

| Art. No  | label |
|----------|-------|
| 55234EF0 | 25-32 |