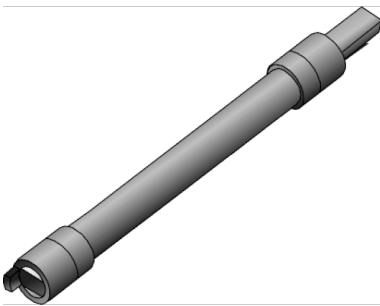


KETRIX

TRI51V KETRIX handle extension for TRI51P 75

55234J00

Areas of application



KETRIX handle extension consisting of handle coupling, shaft coupling and extension tube for cutting to length

Material: PVC

Length 350mm max.

Specifications

Product information	
VPE1	1 SA1
weight	0,149 KGM
text	KETRIX handle extension for TRI51P
INTRNR	39174000
main material group	KETRIX
material group	KETRIX metal fittings
code	TRI51V

Art. No	label
55234J00	75