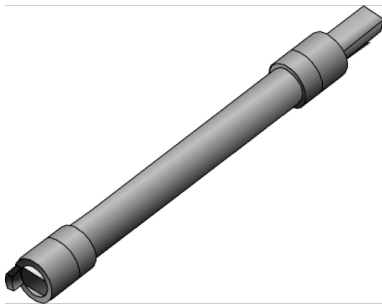


KETRIX

TRI51V KETRIX handle extension for TRI51P 90-110

55234KL0

Areas of application



KETRIX handle extension, comprising: handle coupling, shaft coupling and extension tube for cutting to length

Material: PVC

Length: max. 350mm

Specifications

| Product information | |
|---------------------|------------------------------------|
| VPE1 | 1,00 SA1 |
| weight | 0,158 KGM |
| text | KETRIX handle extension for TRI51P |
| INTRNR | 39174000 |
| main material group | KETRIX |
| material group | KETRIX metal fittings |
| code | TRI51V |

| Art. No | label |
|----------|--------|
| 55234KL0 | 90-110 |