

# KETRIX

TRI55 KETRIX union plastic/metal, male thread  
75x2 1/2"

55240J12

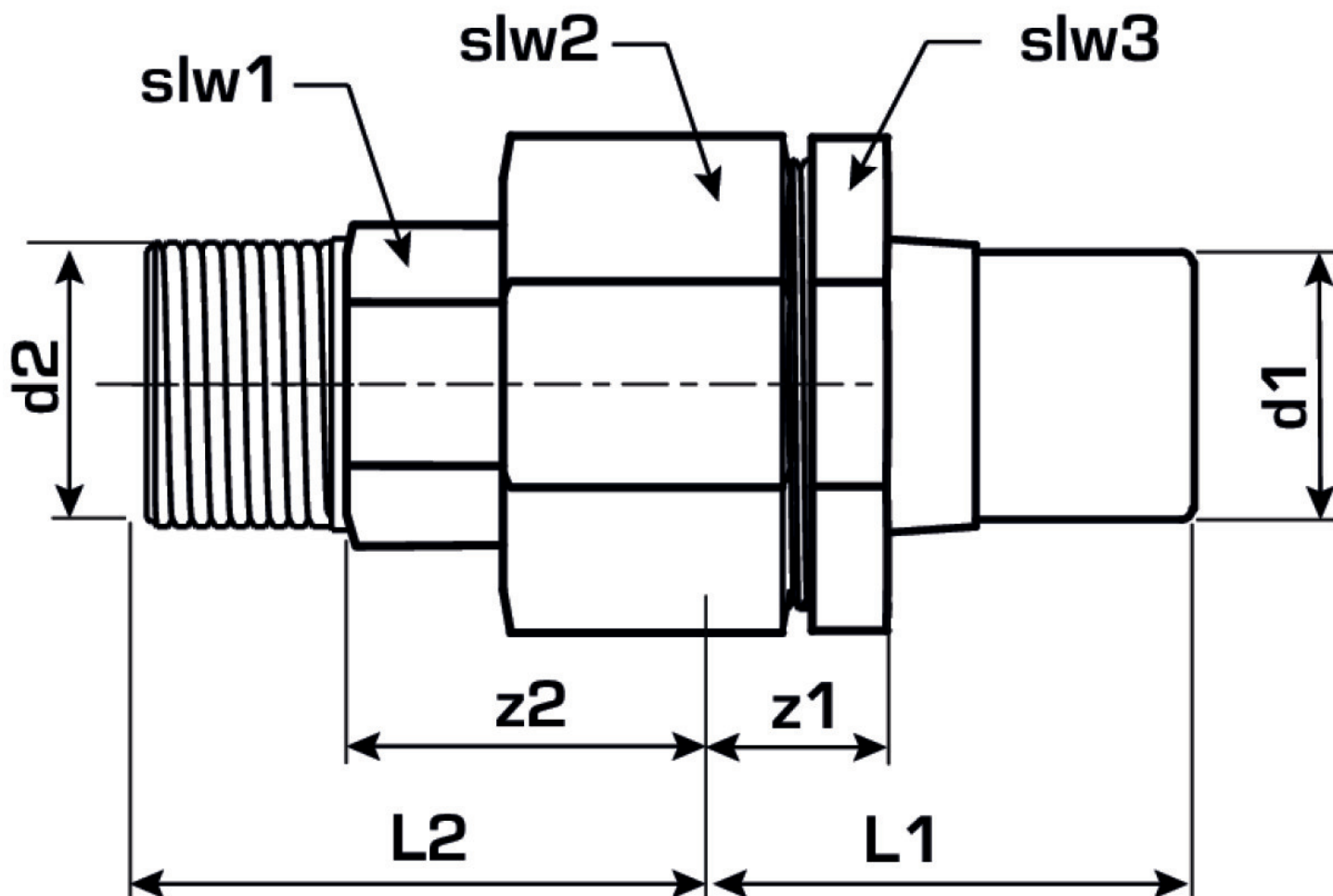
## Areas of application



KETRIX polyfusion weld fitting, flat sealing, including EPDM seal  
thread complies with ÖNORM EN 10226  
plastic socket or EPDM seal available separately!

# Specifications

Product information	
VPE1	1 SA1
VPE2	5 KT1
VPE3	20 KT2
VPE4	480 PAL
weight	1,95 KGM
text	KETRIX union plastic/metal, male thread
INTRNR	39174000
main material group	KETRIX
material group	KETRIX metal fittings
code	TRI55



Art. No	label
55240J12	75x2 1/2"