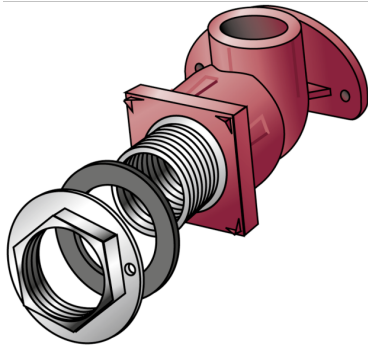


KETRIX

TRI83SP KETRIX device connection bracket 90° with female thread 20x1/2"x15

55206D02

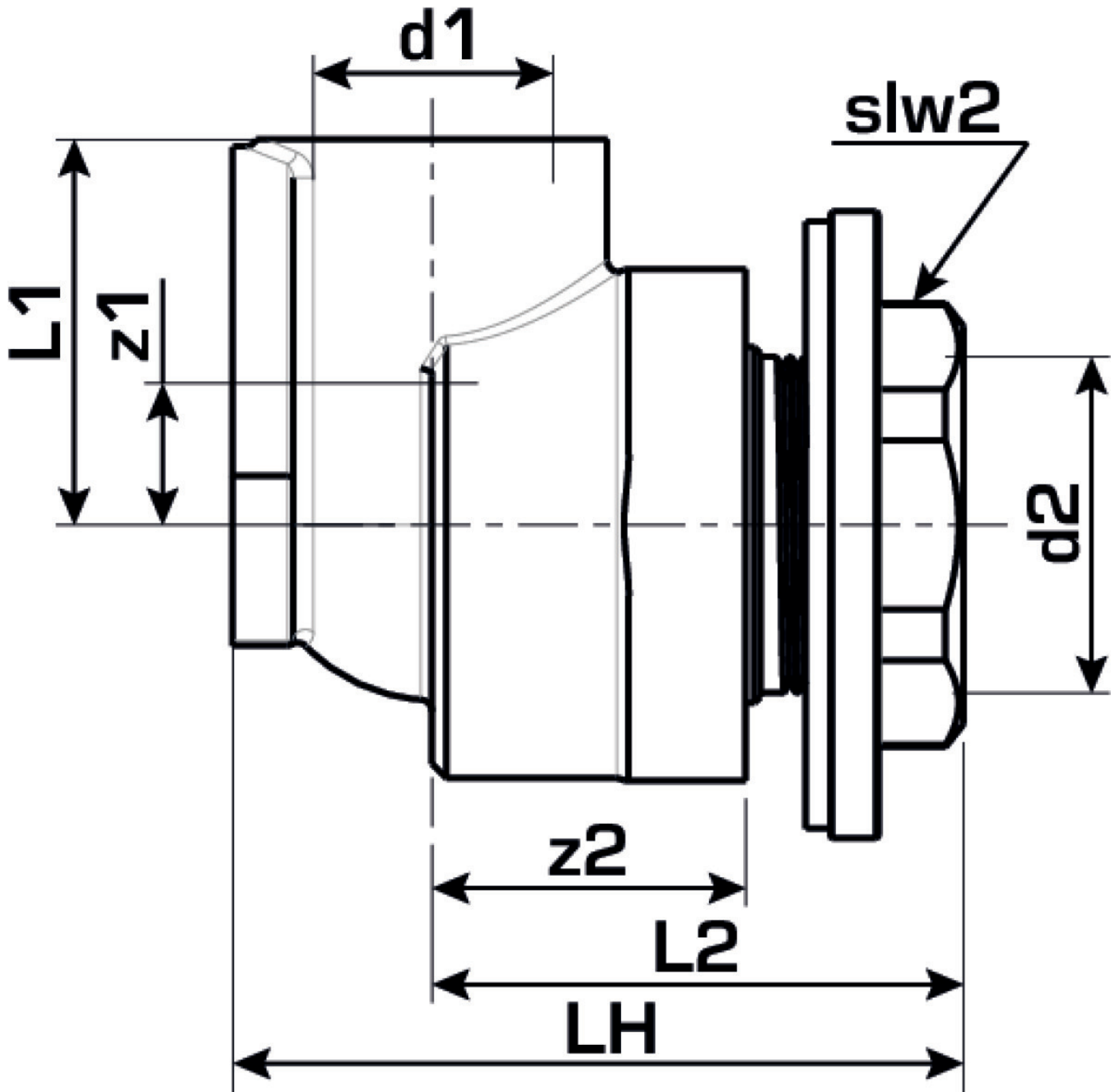
Areas of application



KETRIX polyfusion weld fitting for connecting POB pipes to fittings made of the same material without narrowing the cross section, with injected female thread made of dezincification-resistant non-porous metallized brass, threads conform to DIN EN 10226, extended on the metal side by 15mm with M28mm male thread, seal and lock nut
DO NOT connect to threaded pipes or to cast iron fittings!

Specifications

Product information	
VPE1	5 SA1
VPE2	30 KT1
VPE3	120 KT2
VPE4	2880 PAL
weight	0,184 KGM
text	KETRIX device connection bracket 90° with female thread
INTRNR	39174000
main material group	KETRIX
material group	KETRIX metal fittings
code	TRI83SP



Art. No	label
55206D02	20x1/2"x15