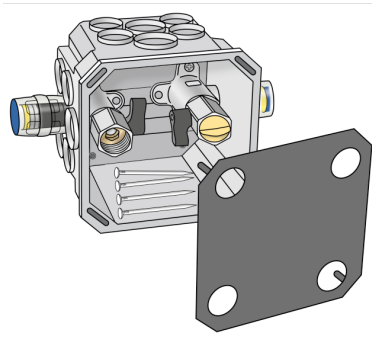


CLIMATE FIX

KCP558A CLIMATEFIX climate hydraulic box with shut-off 16

6353616

Areas of application



Climate hydraulic box for subsequent hydraulic connection of ceiling panels to the heating or cooling system with shut-off

Climate hydraulic box consisting of:

Plastic box for wood and steel formwork in in-situ concrete,

2 PROTEC wall brackets with 2 ball valves 1/2° female

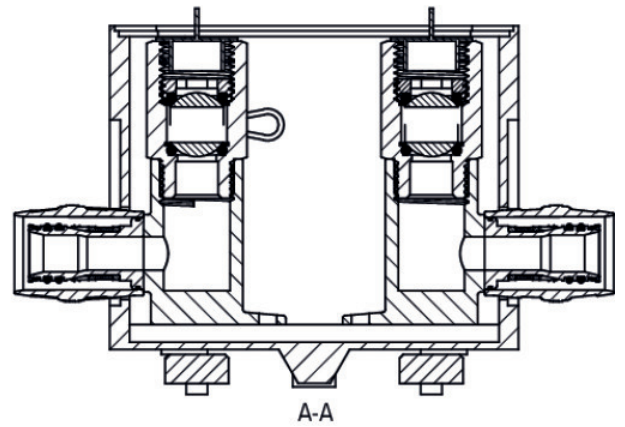
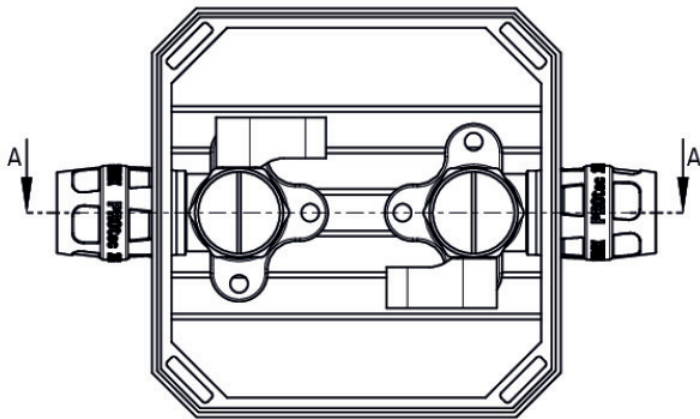
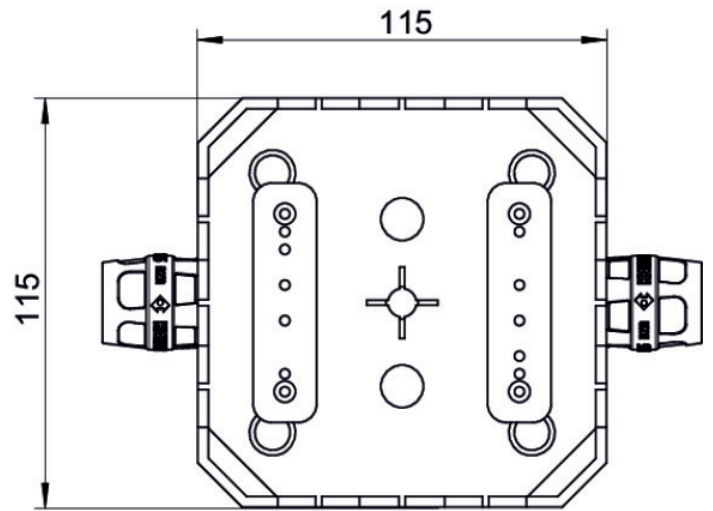
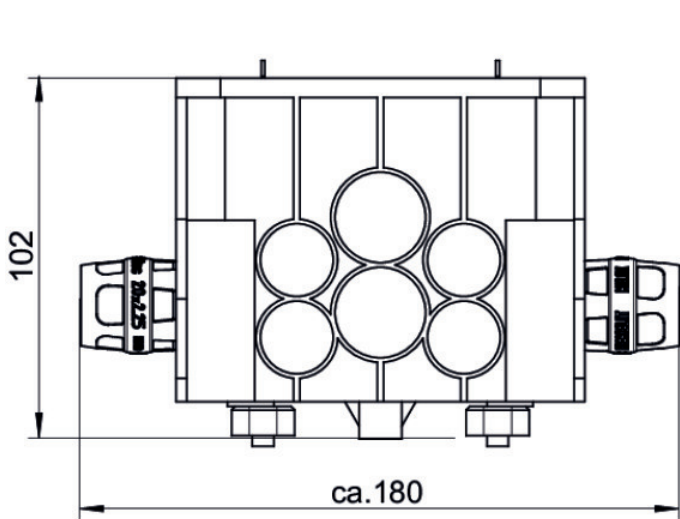
4 stainless steel nails 120mm and protection cover, pre-assembled in the hydraulic box

Dimensions: L: 115mm W: 115mm H: 102mm

Accessories: KCP558S climate hydraulic box transparent lid 130x130x3.5mm

Specifications

Product information	
VPE1	1 STK
VPE2	4 KT1
weight	0,78 KGM
text	CLIMATEFIX climate hydraulic box with shut-off
INTRNR	39232100
main material group	CLIMATEFIX
material group	CLIMATEFIX fittings
code	KCP558A



Art. No	label
6353616	16