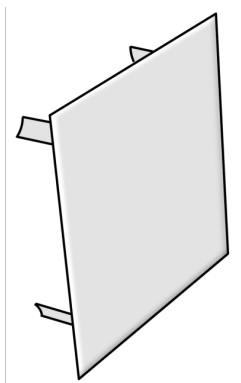


CLIMATE FIX

KCP558S CLIMATEFIX climate-hydraulic box -
transparent lid Transparent lid 130x130

6353510

Areas of application

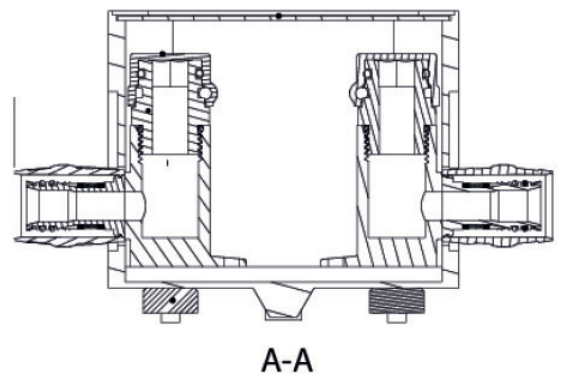
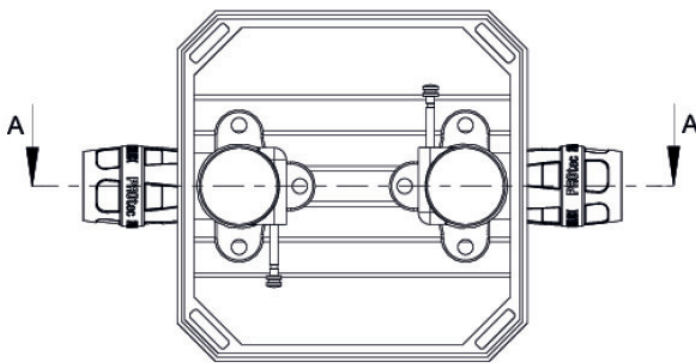
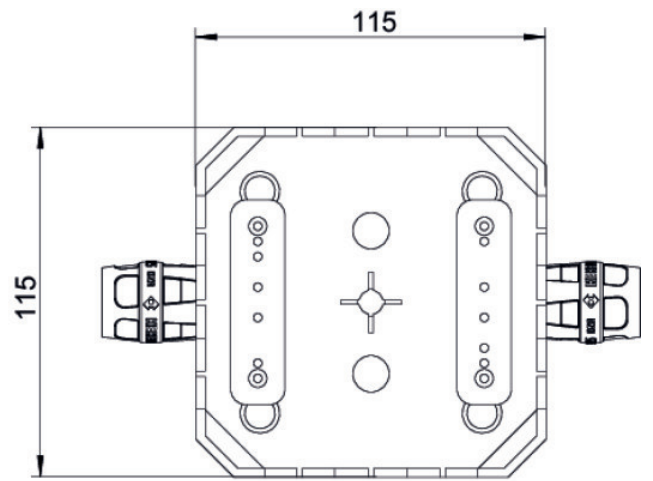
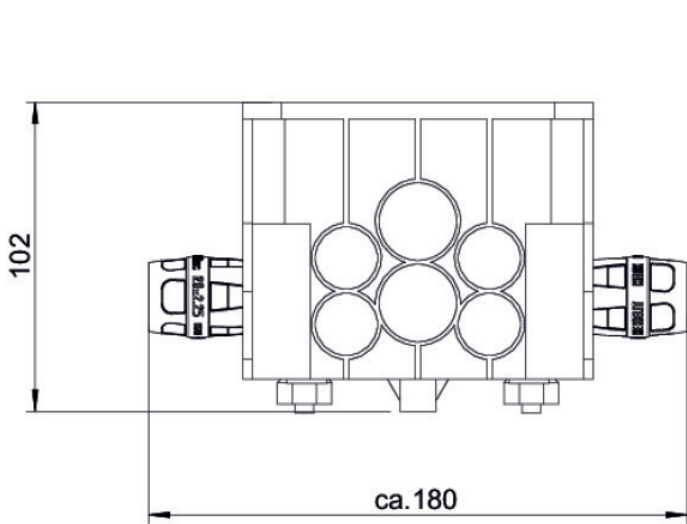


Transparent cover for the climate-hydraulic box KCP558 and KCP558A

Dimensions: 130x130x3.5mm

Specifications

Product information	
VPE1	1 SA1
VPE2	10 KT1
weight	0,05 KGM
text	CLIMATEFIX climate-hydraulic box - transparent lid
INTRNR	39232100
main material group	CLIMATEFIX
material group	CLIMATEFIX fittings
code	KCP558S



Art. No	label
6353510	Transparent lid 130x130