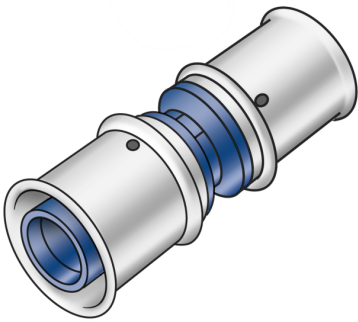


KELOX

KWX410 KELOX PPSU coupling 20/20

77600DD0

Areas of application



?Press coupling equal or reduced, made of PPSU (blue), incl. support sleeves with O-rings and stainless steel press-fit sleeves

Approvals:



KE KELIT GmbH

A 4020 Linz, Ignaz-Mayer-Straße 17, Austria, Europe

PHONE +43 (0) 50 779 E-MAIL office@kekelit.com

www.kekelit.com

Specifications

Article information

port 1	Pressing socket
port 2	Pressing socket
execution	1-part
design	Straight
press contour	U

Technical properties

maximum working pressure at 20 ° C	10
------------------------------------	----

Product information

VPE1	10 SA1
VPE2	160 KT1
weight	0,028 KGM
text	KELOX PPSU coupling
INTRNR	39174000
main material group	KELOX
material group	KELOX-PPSU plastic fittings
code	KWX410



Art. No	label	d1 mm	d2 mm	L1 mm	L2 mm	z1	z2
77600DD0	20/20	20	20	32	32	9	9