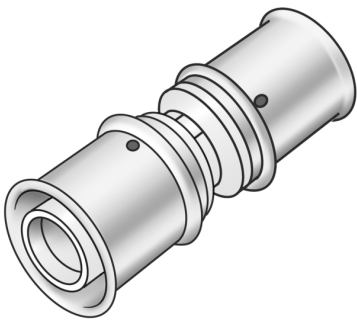


KELOX

KWX410W KELOX PPSU-W coupling 40/40

77100GG0

Areas of application



?Press coupling equal or reduced, made of PPSU (white), incl. support sleeves with O-rings and stainless steel pressing sleeves

Approvals:



KE KELIT GmbH

A 4020 Linz, Ignaz-Mayer-Straße 17, Austria, Europe

PHONE +43 (0) 50 779 E-MAIL office@kekelit.com

www.kekelit.com

Specifications

Article information

| | |
|---------------|-----------------|
| port 1 | Pressing socket |
| port 2 | Pressing socket |
| execution | 1-part |
| design | Straight |
| press contour | U |

Technical properties

| | |
|------------------------------------|----|
| maximum working pressure at 20 ° C | 10 |
|------------------------------------|----|

Product information

| | |
|---------------------|-----------------------------|
| VPE1 | 2 SA1 |
| VPE2 | 40 KT1 |
| weight | 0,134 KGM |
| text | KELOX PPSU-W coupling |
| INTRNR | 39174000 |
| main material group | KELOX |
| material group | KELOX-PPSU plastic fittings |
| code | KWX410W |



| Art. No | label | d1 | d2 | L1 | L2 | z1 | z2 |
|----------|-------|----|----|----|----|----|----|
| 77100GG0 | 40/40 | 40 | 40 | 61 | 61 | 21 | 21 |