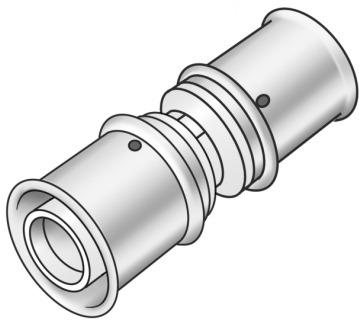


KELOX

KWX410W KELOX PPSU-W coupling 50/50

77100HH0

Areas of application



?Press coupling equal or reduced, made of PPSU (white), incl. support sleeves with O-rings and stainless steel pressing sleeves

Approvals:



Specifications

Article information

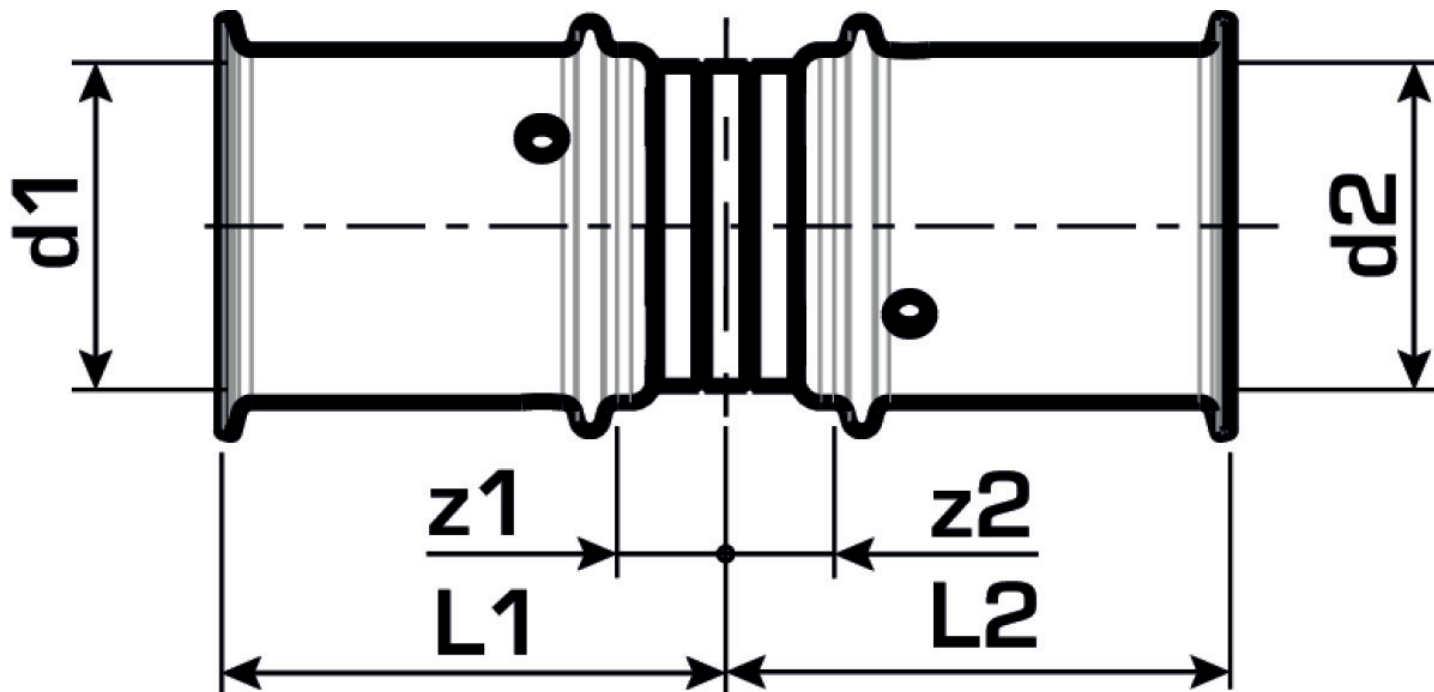
port 1	Pressing socket
port 2	Pressing socket
execution	1-part
design	Straight
press contour	U

Technical properties

maximum working pressure at 20 ° C	10
------------------------------------	----

Product information

VPE1	2 SA1
VPE2	22 KT1
weight	0,275 KGM
text	KELOX PPSU-W coupling
INTRNR	39174000
main material group	KELOX
material group	KELOX-PPSU plastic fittings
code	KWX410W



Art. No	label	d1 mm	d2 mm	L1	L2	z1	z2 mm
77100HH0	50/50	50	50	61	61	20	20