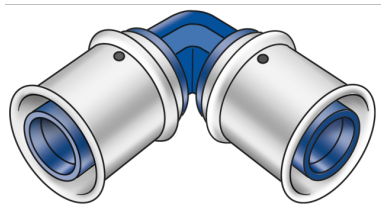


KELOX

KWX420 KELOX PPSU elbow 90° 25

77603EE0

Areas of application



?Press elbow 90° for changing direction with a minimal radius, made of PPSU, incl. support sleeves with O-rings and stainless steel press-fit sleeves

Approvals:



Specifications

Article information

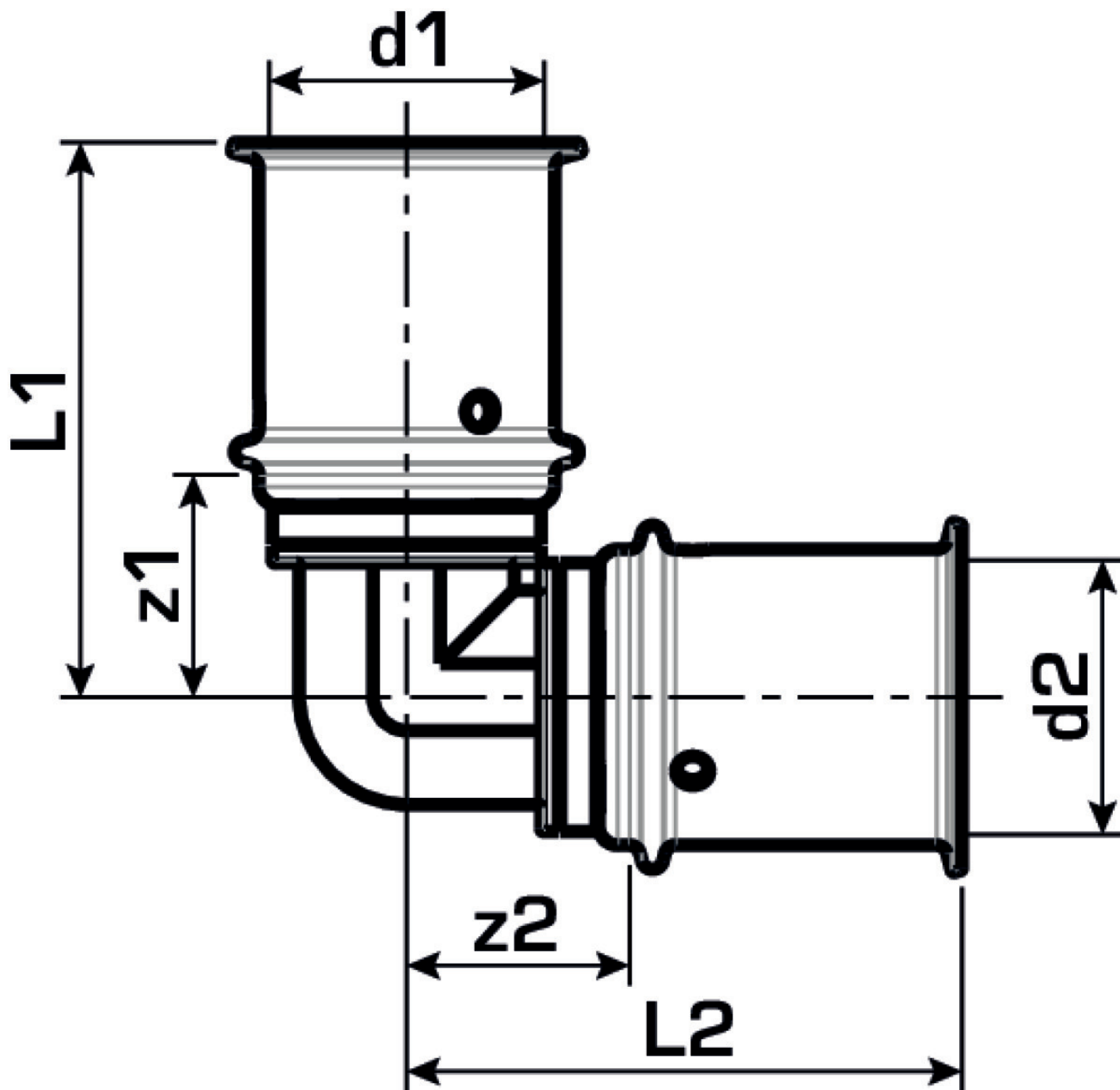
port 1	Pressing socket
port 2	Pressing socket
execution	1-part
design	Knee
angle	90 °
press contour	U

Technical properties

maximum working pressure at 20 ° C	10
------------------------------------	----

Product information

VPE1	10 SA1
VPE2	80 KT1
weight	0,054 KGM
text	KELOX PPSU elbow 90°
INTRNR	39174000
main material group	KELOX
material group	KELOX-PPSU plastic fittings
code	KWX420



Art. No	label	d1 mm	d2 mm	L1	L2	z1	z2
77603EE0	25	25	25	52	52	24	24