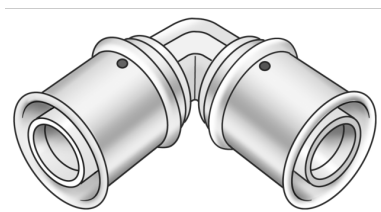


KELOX

KWX420W KELOX PPSU-W elbow 90° 20

77103DD0

Areas of application



?Press elbow 90° for changing direction with a minimal radius, made of PPSU (white), incl. support sleeves with O-rings and stainless steel press-fit sleeves

Approvals:



KE KELIT GmbH

A 4020 Linz, Ignaz-Mayer-Straße 17, Austria, Europe

PHONE +43 (0) 50 779 E-MAIL office@kekelit.com

www.kekelit.com

Specifications

Article information

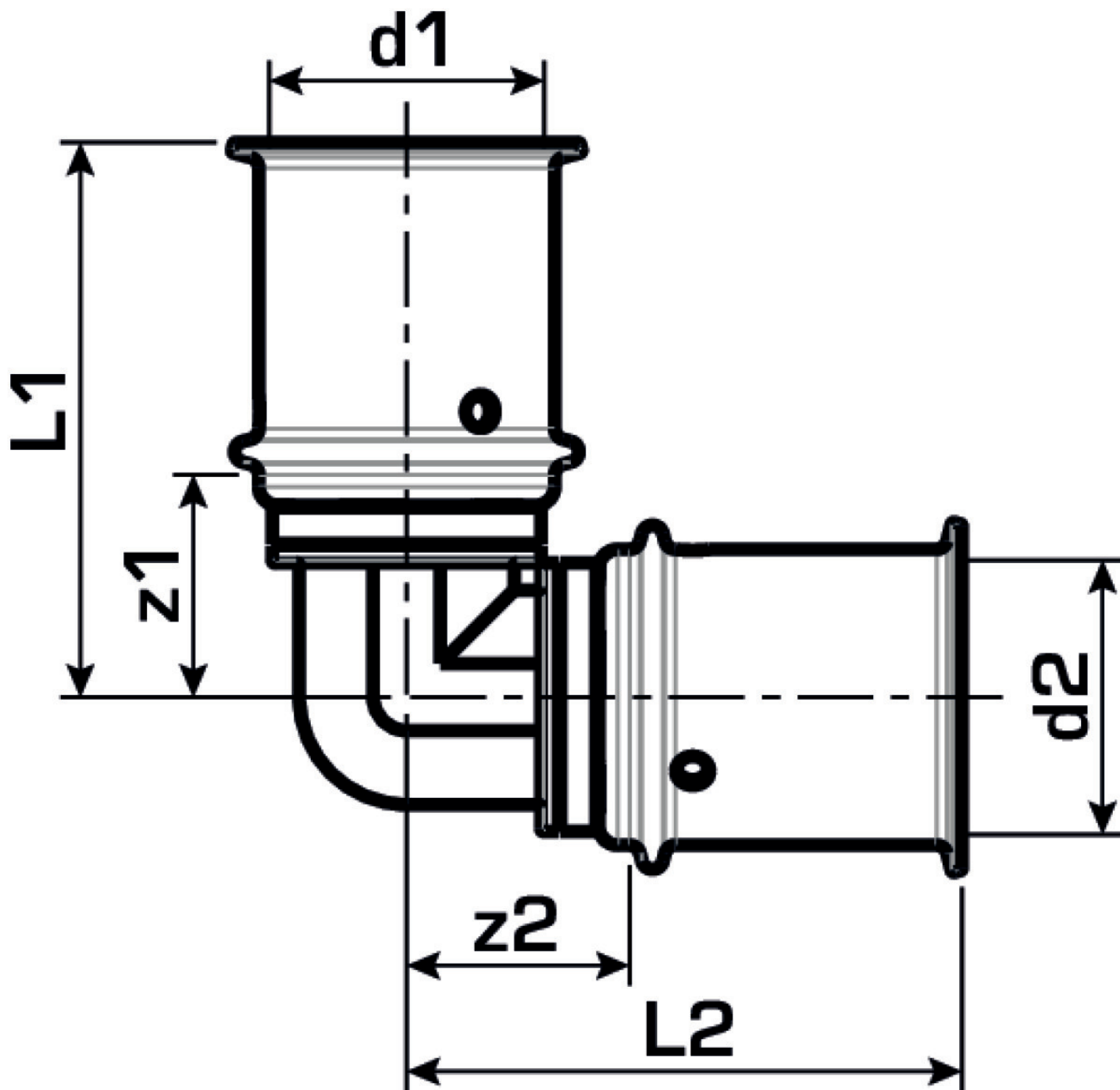
port 1	Pressing socket
port 2	Pressing socket
execution	1-part
design	Knee
angle	90 °
press contour	U

Technical properties

maximum working pressure at 20 ° C	16 bar
------------------------------------	--------

Product information

VPE1	10 SA1
VPE2	150 KT1
weight	0,031 KGM
text	KELOX PPSU-W elbow 90°
INTRNR	39174000
main material group	KELOX
material group	KELOX-PPSU plastic fittings
code	KWX420W



Art. No	label	d1 mm	d2 mm	L1	L2	z1	z2
77103DD0	20	20	20	43	43	21	21