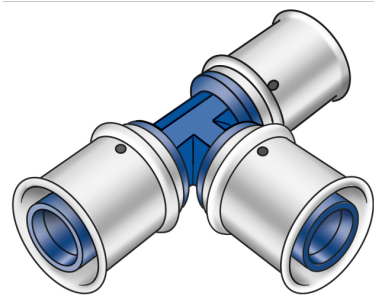


# KELOX

## KWX440 ?KELOX PPSU tee 20/16/20

77610DBD

### Areas of application



?Press tee piece equal or reduced, made of PPSU, incl. support sleeves with O-rings and stainless steel press-fit sleeves

### Approvals:



# Specifications

## Article information

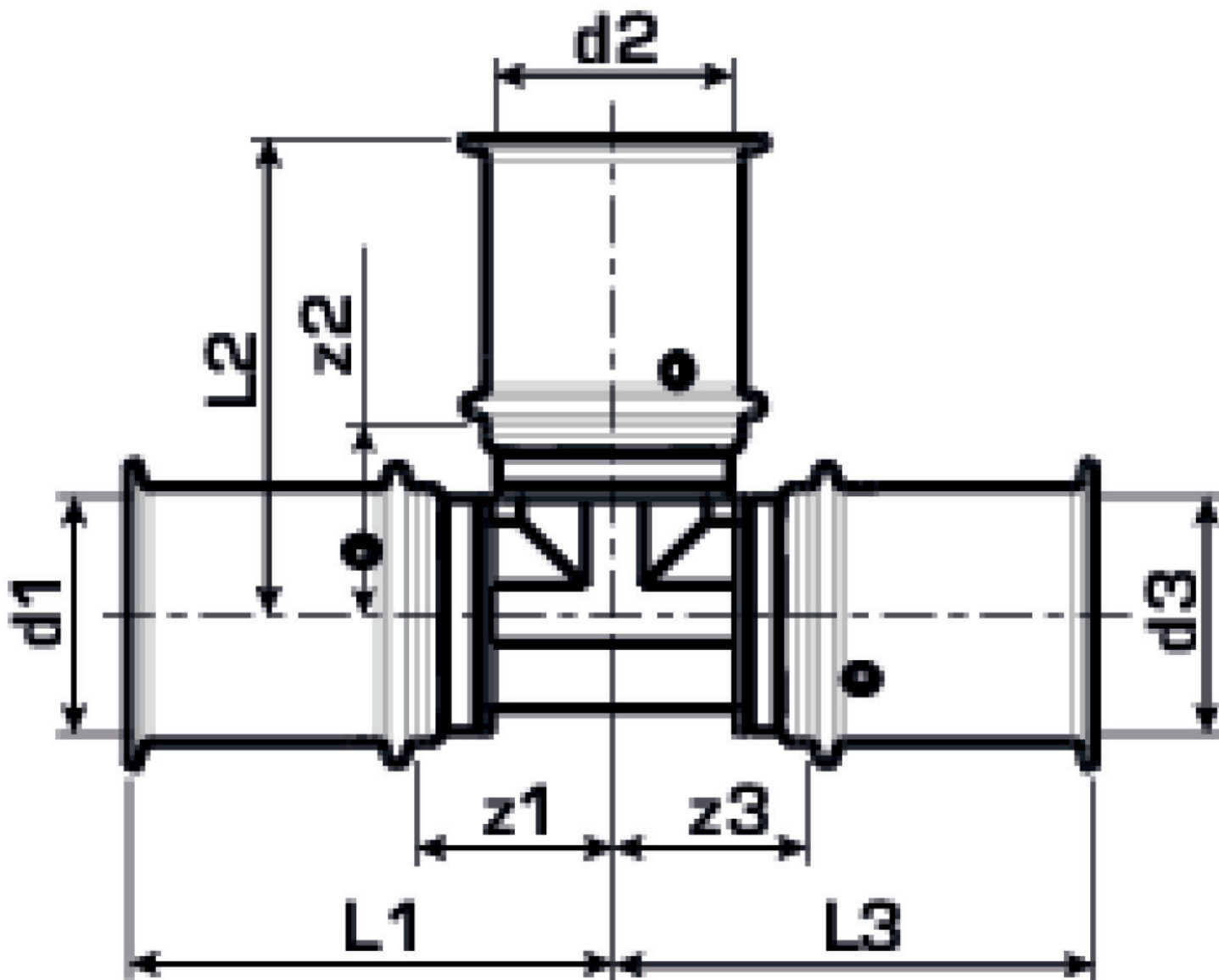
port 1	Pressing socket
port 2	Pressing socket
port 3	Pressing socket
execution	Tee piece
angle	90
press contour	U

## Technical properties

maximum working pressure at 20 ° C	16 bar
------------------------------------	--------

## Product information

VPE1	10 SA1
VPE2	100 KT1
weight	0,037 KGM
text	?KELOX PPSU tee
INTRNR	39174000
main material group	KELOX
material group	KELOX-PPSU plastic fittings
code	KWX440



Art. No	label	d1 mm	d2 mm	d3 mm	L1	L2	L3	z1	z2	z3
77610DBI	20/16/20	20	16	20	42	40	42	18	18	18