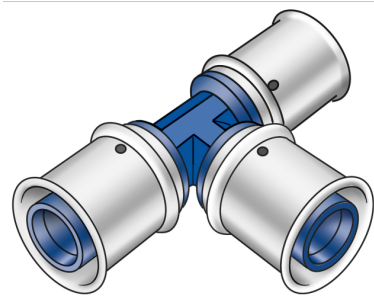


KELOX

KWX440 ?KELOX PPSU tee 20/20/16

77610DDB

Areas of application



?Press tee piece equal or reduced, made of PPSU, incl. support sleeves with O-rings and stainless steel press-fit sleeves

Approvals:



Specifications

Article information

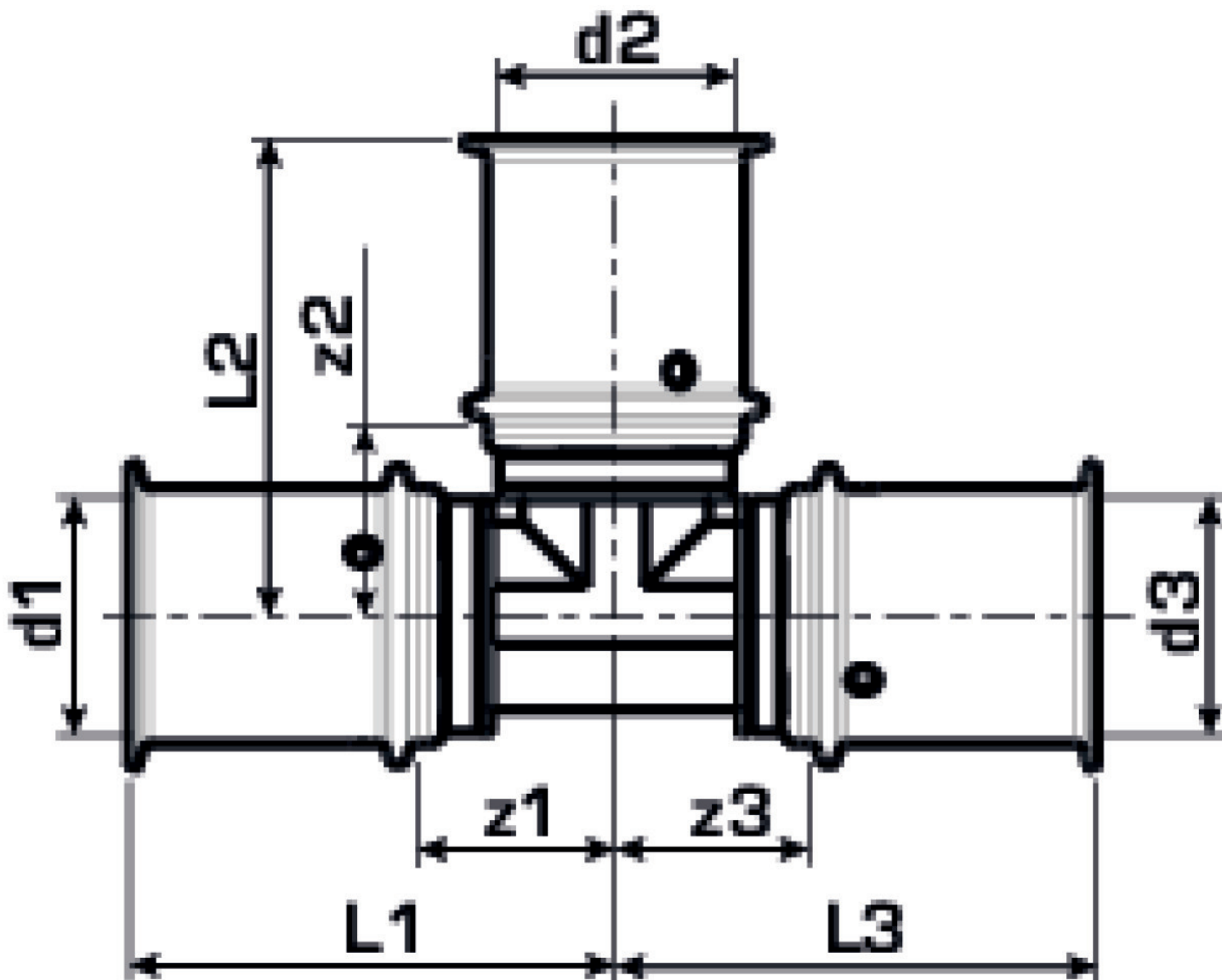
| | |
|---------------|-----------------|
| port 1 | Pressing socket |
| port 2 | Pressing socket |
| port 3 | Pressing socket |
| execution | Tee piece |
| angle | 90 |
| press contour | U |

Technical properties

| | |
|------------------------------------|--------|
| maximum working pressure at 20 ° C | 16 bar |
|------------------------------------|--------|

Product information

| | |
|---------------------|-----------------------------|
| VPE1 | 10 SA1 |
| VPE2 | 100 KT1 |
| weight | 0,037 KGM |
| text | ?KELOX PPSU tee |
| INTRNR | 39174000 |
| main material group | KELOX |
| material group | KELOX-PPSU plastic fittings |
| code | KWX440 |



| Art. No | label | d1 mm | d2 mm | d3 mm | L1 | L2 | L3 | z1 | z2 | z3 |
|----------|----------|-------|-------|-------|----|----|----|----|----|----|
| 77610DDf | 20/20/16 | 20 | 20 | 16 | 42 | 42 | 41 | 18 | 18 | 19 |