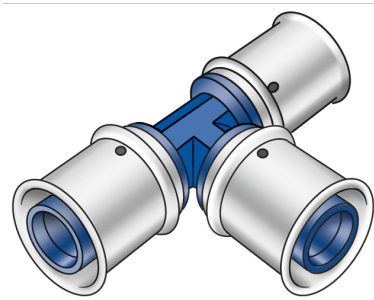


# KELOX

## KWX440 ?KELOX PPSU tee 25/20/25

77610EDE

### Areas of application



?Press tee piece equal or reduced, made of PPSU, incl. support sleeves with O-rings and stainless steel press-fit sleeves

### Approvals:



KE KELIT GmbH

A 4020 Linz, Ignaz-Mayer-Straße 17, Austria, Europe

PHONE +43 (0) 50 779 E-MAIL [office@kekelit.com](mailto:office@kekelit.com)

[www.kekelit.com](http://www.kekelit.com)

# Specifications

## Article information

|               |                 |
|---------------|-----------------|
| port 1        | Pressing socket |
| port 2        | Pressing socket |
| port 3        | Pressing socket |
| execution     | Tee piece       |
| angle         | 90              |
| press contour | U               |

## Technical properties

|                                    |        |
|------------------------------------|--------|
| maximum working pressure at 20 ° C | 16 bar |
|------------------------------------|--------|

## Product information

|                     |                             |
|---------------------|-----------------------------|
| VPE1                | 4 SA1                       |
| VPE2                | 48 KT1                      |
| weight              | 0,067 KGM                   |
| text                | ?KELOX PPSU tee             |
| INTRNR              | 39174000                    |
| main material group | KELOX                       |
| material group      | KELOX-PPSU plastic fittings |
| code                | KWX440                      |



| Art. No  | label    | d1 mm | d2 mm | d3 mm | L1 | L2 mm | L3 | z1 mm | z2 | z3 mm |
|----------|----------|-------|-------|-------|----|-------|----|-------|----|-------|
| 77610EDE | 25/20/25 | 25    | 20    | 25    | 52 | 50    | 52 | 25    | 26 | 25    |