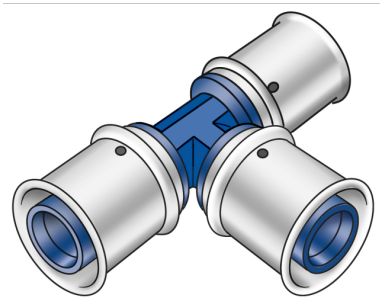


# KELOX

## KWX440 ?KELOX PPSU tee 25/25/25

77610EEE

### Areas of application



?Press tee piece equal or reduced, made of PPSU, incl. support sleeves with O-rings and stainless steel press-fit sleeves

### Approvals:



KE KELIT GmbH

A 4020 Linz, Ignaz-Mayer-Straße 17, Austria, Europe

PHONE +43 (0) 50 779 E-MAIL [office@kekelit.com](mailto:office@kekelit.com)

[www.kekelit.com](http://www.kekelit.com)

# Specifications

## Article information

port 1	Pressing socket
port 2	Pressing socket
port 3	Pressing socket
execution	Tee piece
angle	90 °
press contour	U

## Technical properties

maximum working pressure at 20 ° C	16 bar
------------------------------------	--------

## Product information

VPE1	4,00 SA1
VPE2	40,00 KT1
weight	0,079 KGM
text	?KELOX PPSU tee
INTRNR	39174000
main material group	KELOX
material group	KELOX-PPSU plastic fittings
code	KWX440



Art. No	label	d1 mm	d2 mm	d3 mm	L1 mm	L2 mm	L3 mm	z1 mm	z2 mm	z3 mm
77610EEE	25/25/25	25	25	25	52	52	52	24	24	24