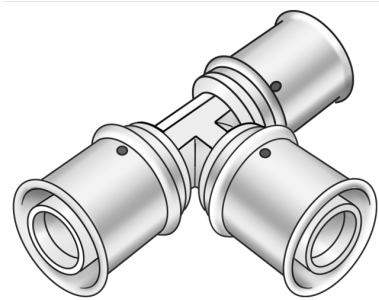


KELOX

KWX440W ?KELOX PPSU tee piece 20/16/20

77110DBD

Areas of application



?Press tee equal or reduced, made of PPSU (white), incl. support sleeves with O-rings and stainless steel press-fit sleeves

Approvals:



Specifications

Article information

port 1	Pressing socket
port 2	Pressing socket
port 3	Pressing socket
execution	Tee piece
angle	90
press contour	U

Technical properties

maximum working pressure at 20 ° C	16 bar
------------------------------------	--------

Product information

VPE1	10 SA1
VPE2	100 KT1
weight	0,037 KGM
text	?KELOX PPSU tee piece
INTRNR	39174000
main material group	KELOX
material group	KELOX-PPSU plastic fittings
code	KWX440W



Art. No	label	d1 mm	d2 mm	d3 mm	L1	L2	L3	z1	z2	z3
77110DBI	20/16/20	20	16	20	42	40	42	18	18	18