

KELOX

KWX440W ?KELOX PPSU tee piece 32/25/32

77110FEF

Areas of application



?Press tee equal or reduced, made of PPSU (white), incl. support sleeves with O-rings and stainless steel press-fit sleeves

Approvals:



Specifications

Article information

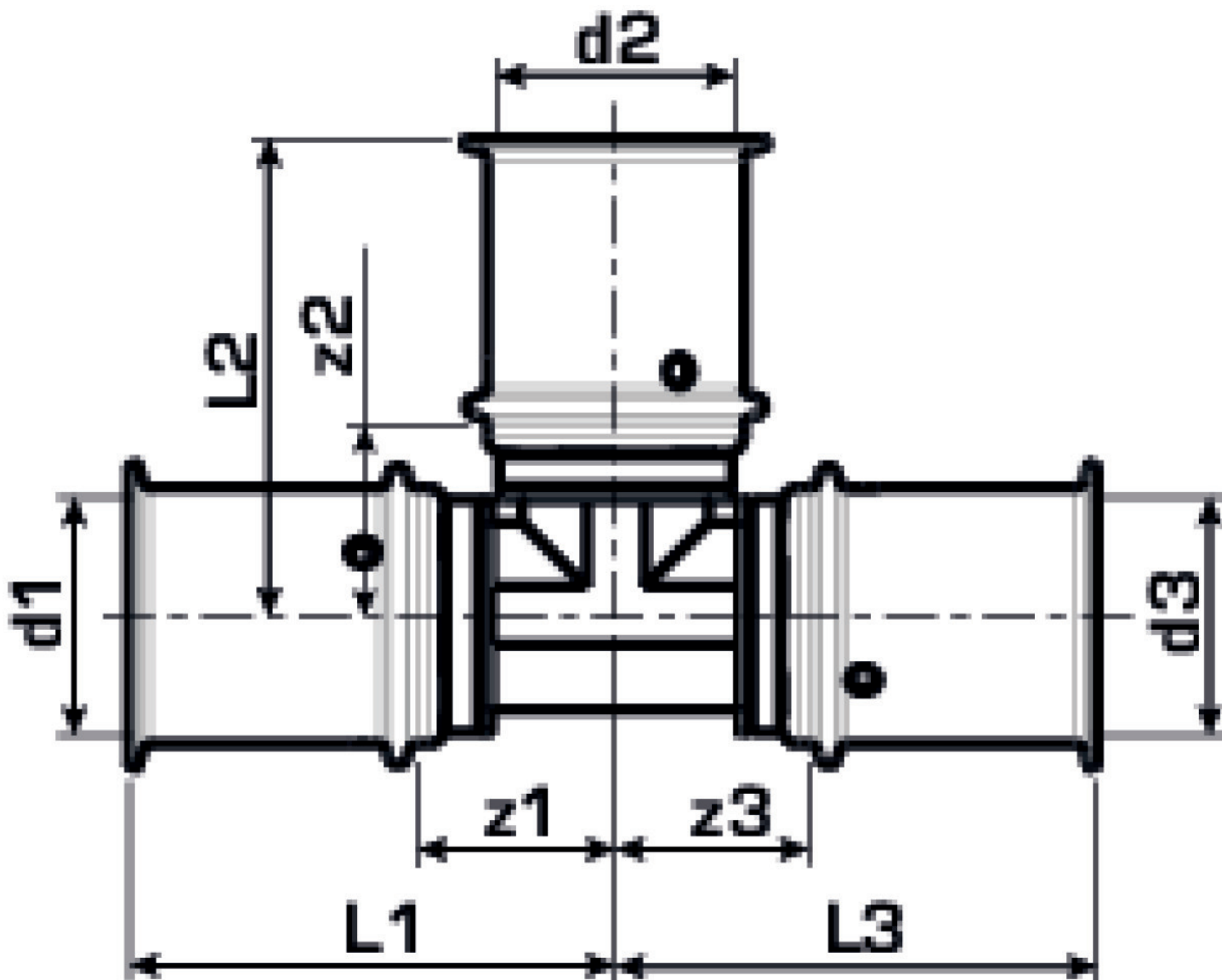
port 1	Pressing socket
port 2	Pressing socket
port 3	Pressing socket
execution	Tee piece
angle	90
press contour	U

Technical properties

maximum working pressure at 20 ° C	16 bar
------------------------------------	--------

Product information

VPE1	4 SA1
VPE2	32 KT1
weight	0,109 KGM
text	?KELOX PPSU tee piece
INTRNR	39174000
main material group	KELOX
material group	KELOX-PPSU plastic fittings
code	KWX440W



Art. No	label	d1 mm	d2 mm	d3 mm	L1	L2	L3	z1	z2	z3
77110FEF	32/25/32	32	25	32	56	58	56	28	30	26