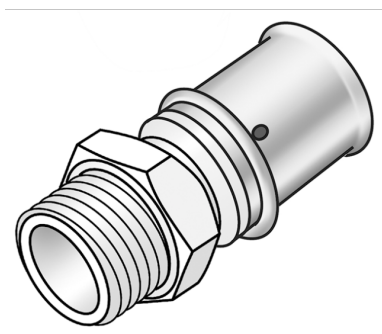


# KELOX

KWX450W ?KELOX PPSU-W adapter with male thread 25x3/4"

77702E04

## Areas of application



?Press-fit adaptor with male thread for sealing with hemp, made of PPSU (white), incl. support sleeves with O-rings and stainless steel press-fit sleeves, "leak before pressed"  
DO NOT use liquid sealants or thread sealing tape!

## Approvals:



KE KELIT GmbH

A 4020 Linz, Ignaz-Mayer-Straße 17, Austria, Europe

PHONE +43 (0) 50 779 E-MAIL [office@kekelit.com](mailto:office@kekelit.com)

[www.kekelit.com](http://www.kekelit.com)

# Specifications

## Article information

port 1	Pressmuffe
port 2	Außengewinde metrisch
press contour	U

## Technical properties

maximum working pressure at 20 ° C	16 bar
------------------------------------	--------

## Product information

VPE1	10 SA1
VPE2	100 KT1
weight	0,046 KGM
text	?KELOX PPSU-W adapter with male thread
INTRNR	39174000
main material group	KELOX
material group	KELOX-PPSU plastic fittings
code	KWX450W

Art. No	label	d1 mm
77702E04	25x3/4"	25