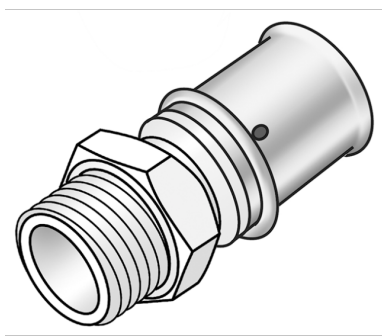


# KELOX

## KWX450W ?KELOX PPSU-W adapter with male thread 32x1"

77702F05

### Areas of application



?Press-fit adaptor with male thread for sealing with hemp, made of PPSU (white), incl. support sleeves with O-rings and stainless steel press-fit sleeves, "leak before pressed"  
DO NOT use liquid sealants or thread sealing tape!

### Approvals:



KE KELIT GmbH

A 4020 Linz, Ignaz-Mayer-Straße 17, Austria, Europe

PHONE +43 (0) 50 779 E-MAIL [office@kekelit.com](mailto:office@kekelit.com)

[www.kekelit.com](http://www.kekelit.com)

# Specifications

## Article information

|               |                       |
|---------------|-----------------------|
| port 1        | Pressmuffe            |
| port 2        | Außengewinde metrisch |
| press contour | U                     |

## Technical properties

|                                    |        |
|------------------------------------|--------|
| maximum working pressure at 20 ° C | 16 bar |
|------------------------------------|--------|

## Product information

|                     |  |
|---------------------|--|
| VPE1                | 10 SA1                                 |
| VPE2                | 80 KT1                                 |
| weight              | 0,064 KGM                              |
| text                | ?KELOX PPSU-W adapter with male thread |
| INTRNR              | 39174000                               |
| main material group | KELOX                                  |
| material group      | KELOX-PPSU plastic fittings            |
| code                | KWX450W                                |

| Art. No  | label | d1 mm |
|----------|-------|-------|
| 77702F05 | 32x1" | 32    |