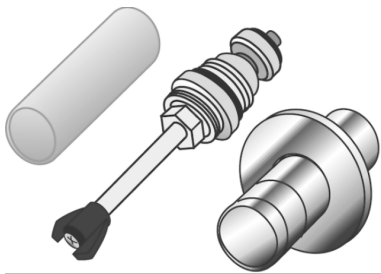


# K50C KELIT shut-off valve stem 1/2" w/out visible parts

2660860

## Areas of application



Shut-off valve, incl. chrome-plated end cap, rosette and protection cap, compatible with KE50A and KE50P.

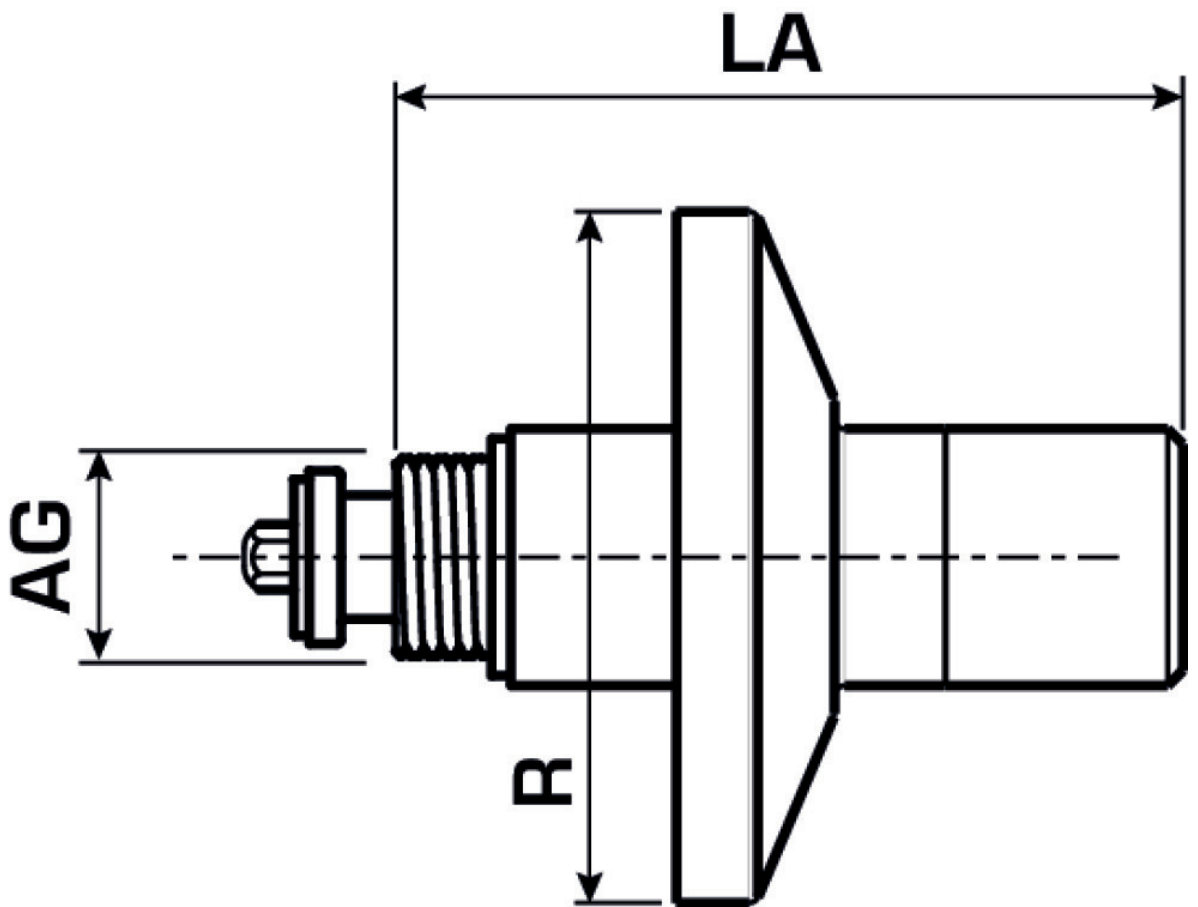
## Approvals:



# Specifications

## Product information

VPE1	1 SA1
weight	0,15 KGM
text	KELIT shut-off valve stem
INTRNR	84819000
main material group	KELIT HIT
material group	HIT metal fittings
code	K50C



Art. No	label
2660860	1/2" w/out visible parts